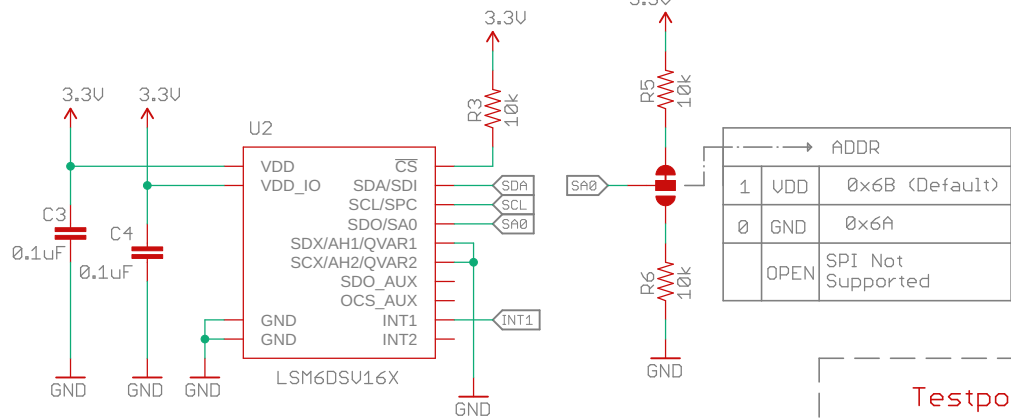


## 6DoF IMU - LSM6DSU16X

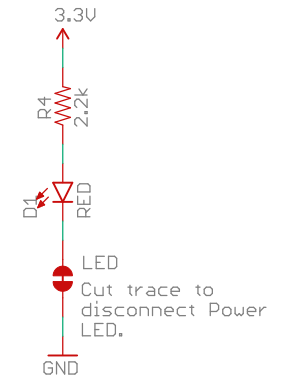
VDD Range: 1.71V - 3.6V  
 VDDIO Range: 1.62V - 3.6V

I2C Address (selectable): 0x6B (Default)

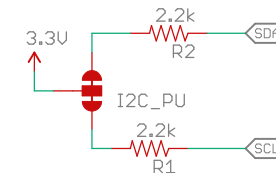


LSM6DSU16X MODES  
 MODE1: Peripheral-only mode  
 I2C or SPI

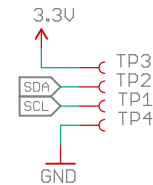
## Jumpers



Cut traces to remove I2C pull-up resistors.

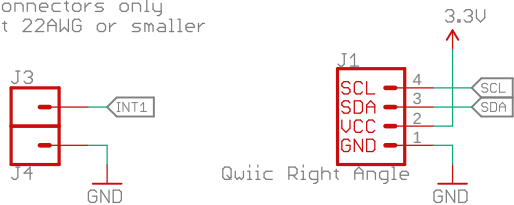


## Testpoints



## Connectors

PTH connectors only  
 accept 22AWG or smaller



Released under the Creative Commons Attribution Share-Alike 4.0 License  
<https://creativecommons.org/licenses/by-sa/4.0/>

TITLE: SparkFun\_Micro\_6DoF\_LSM6DSU16X

Design by: Elias Santistevan

REV:  
v10

Date: 5/24/2023 10:35 AM

Sheet: 1/1