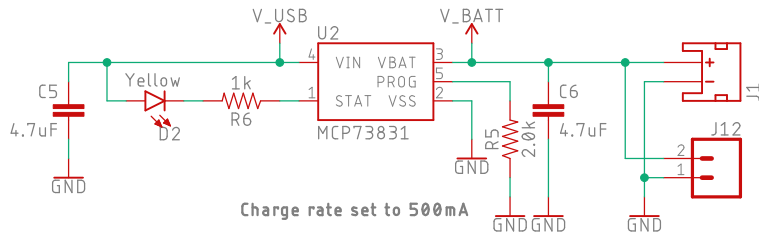


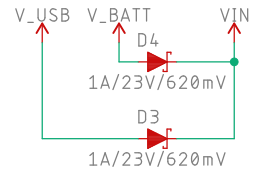
USB/LiPo Charger



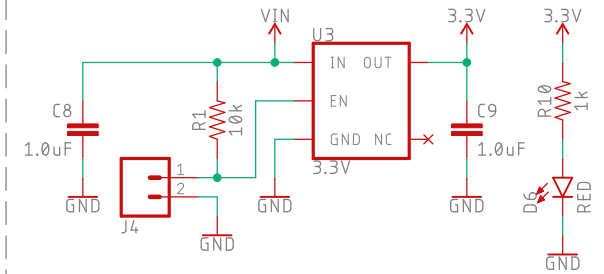
Charge rate set to 500mA

Power Source Select

6V Max VIN / VUSB / VBATT

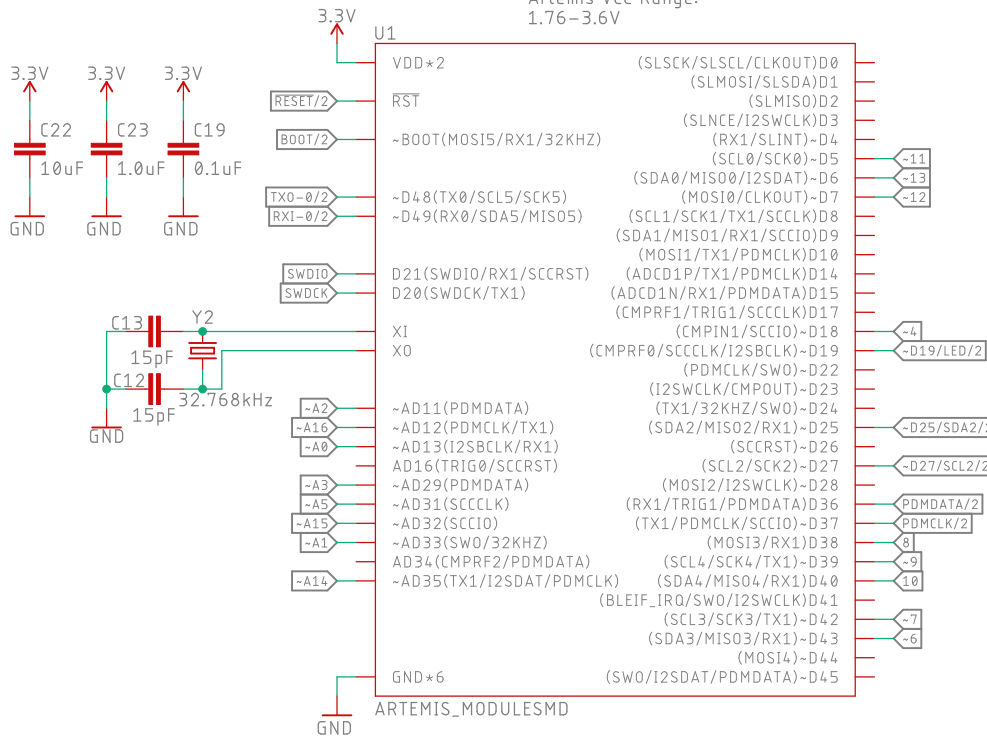


3.3V Regulator

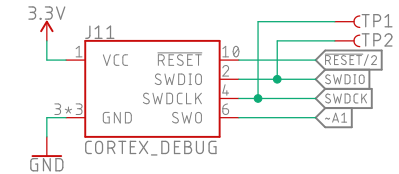


Artemis (Apollo3)

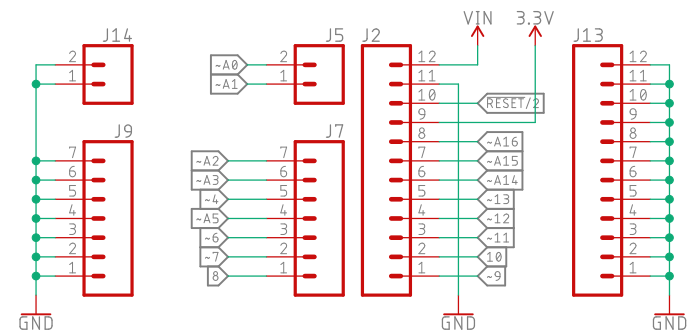
Artemis VCC Range:
1.76-3.6V



SWD Program/Debug Interface



Headers



Released under the Creative Commons

Attribution Share-Alike 4.0 License

<https://creativecommons.org/licenses/by-sa/4.0/>



TITLE: Artemis-Nano

Design by: N. Seidle

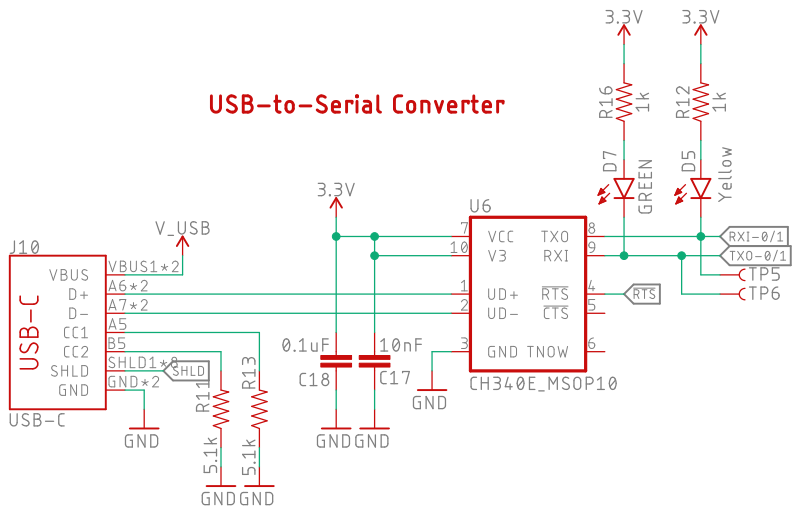
REV:
v10

Date: 6/21/2019 11:22 AM

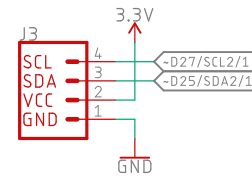
Sheet: 1/2



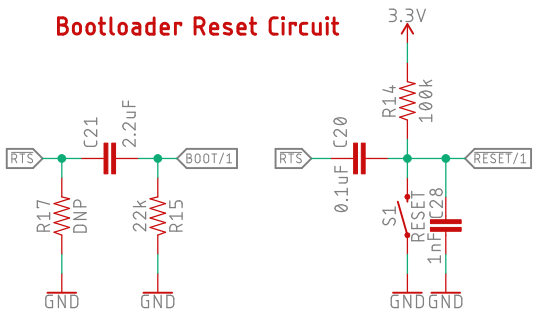
USB-to-Serial Converter



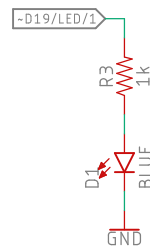
I2C/Qwiic



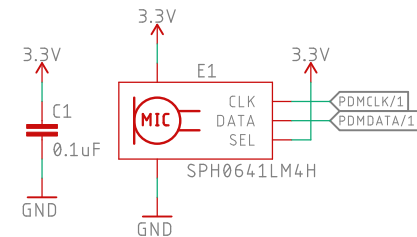
Bootloader Reset Circuit



User LED



Microphone



Released under the Creative Commons Attribution Share-Alike 4.0 License
<https://creativecommons.org/licenses/by-sa/4.0/>

TITLE: Artemis-Nano

Design by: Nobody

REV:
>REV

Date: 6/21/2019 11:22 AM

Sheet: 2/2