

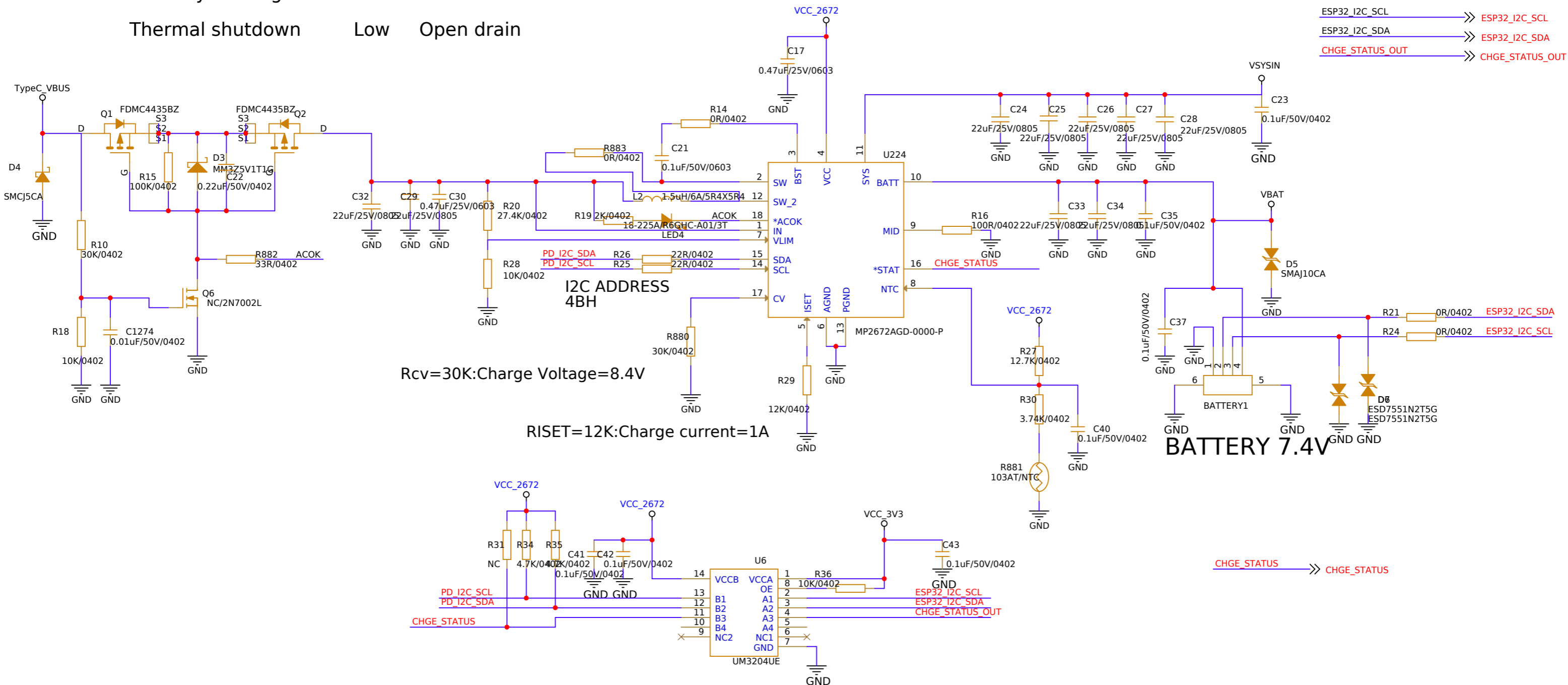
Title		
<Title>		
Size	Document Number	Rev
A3	<Doc>	<RevC>
Date:	Monday, November 10, 2025	Sheet 1 of 7

Charging State	ACOK	STAT
Charging	Low	Low
Charging complete, charging disabled	Low	Open drain
Charging suspended blinking due to one of the following: *Battery OVP *Timer fault *NTC hot fault *NTC cold fault *Battery floating	Low	1Hz
Thermal shutdown	Low	Open drain

TypeC_USB_CC1 >>> TypeC_USB_CC1
 TypeC_USB_CC2 >>> TypeC_USB_CC2
 Power_USB_D+ >>> Power_USB_D+
 Power_USB_D- >>> Power_USB_D-

ESP32_I2C_SCL >>> ESP32_I2C_SCL
 ESP32_I2C_SDA >>> ESP32_I2C_SDA
 CHGE_STATUS_OUT >>> CHGE_STATUS_OUT

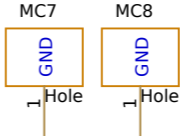
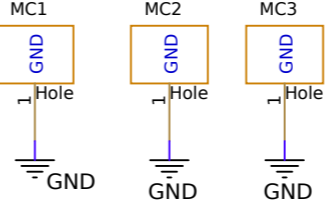
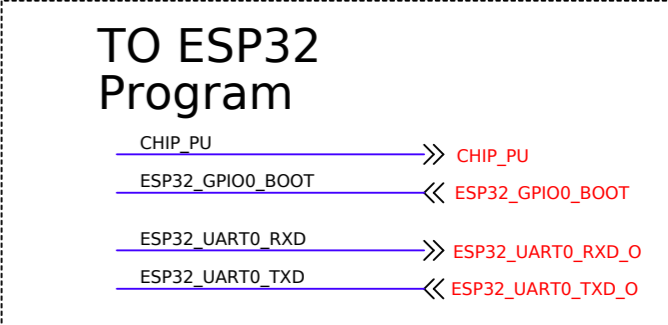
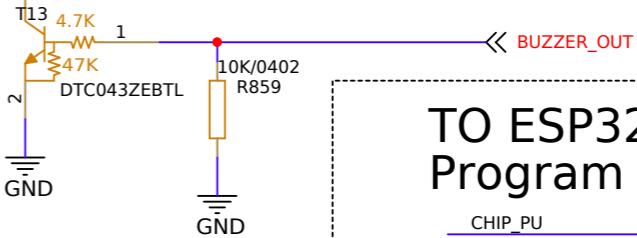
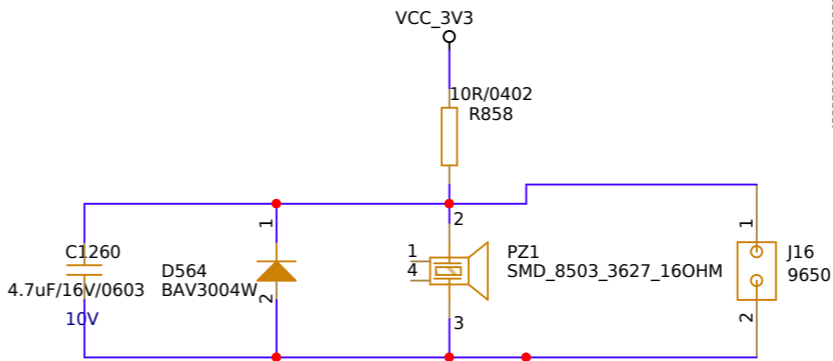
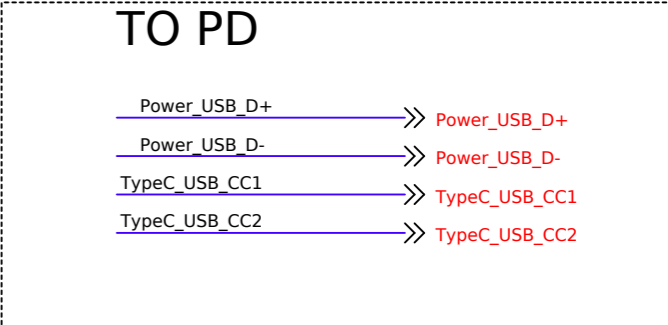
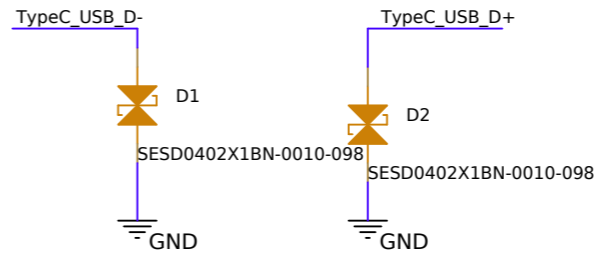
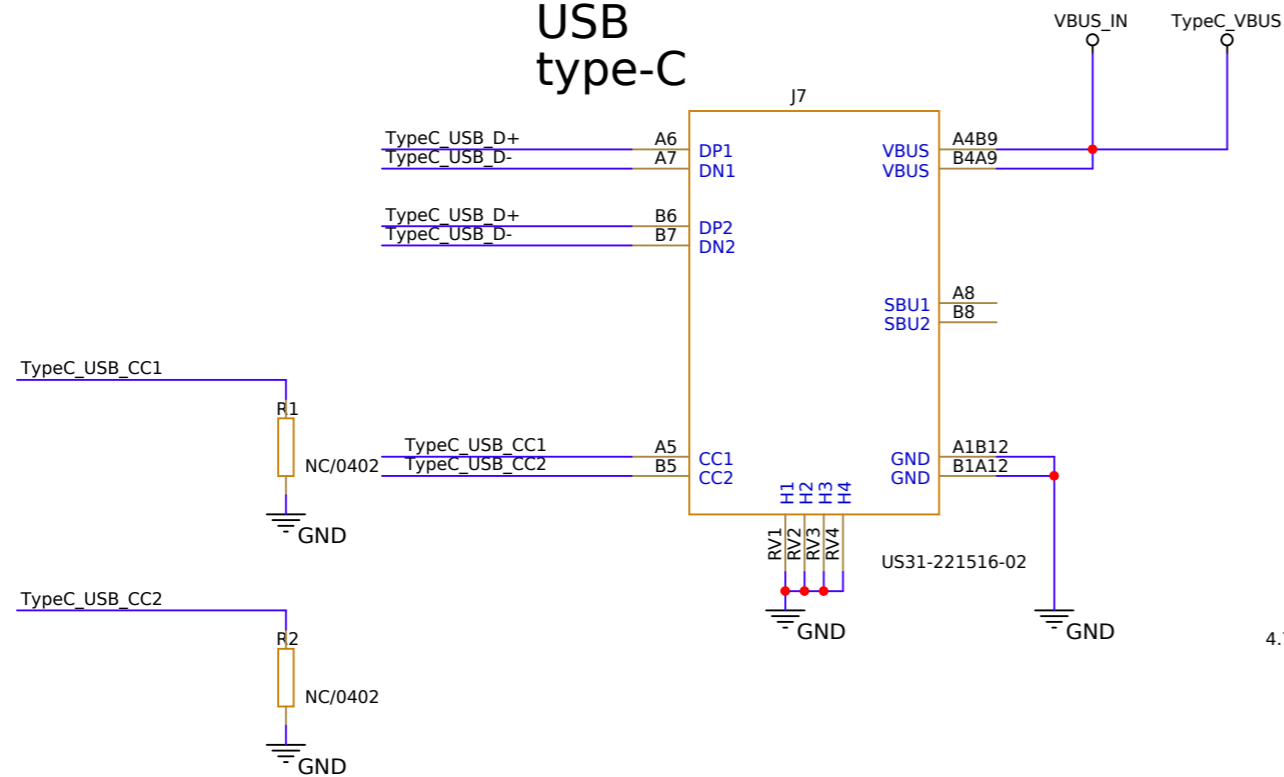
CHARGER



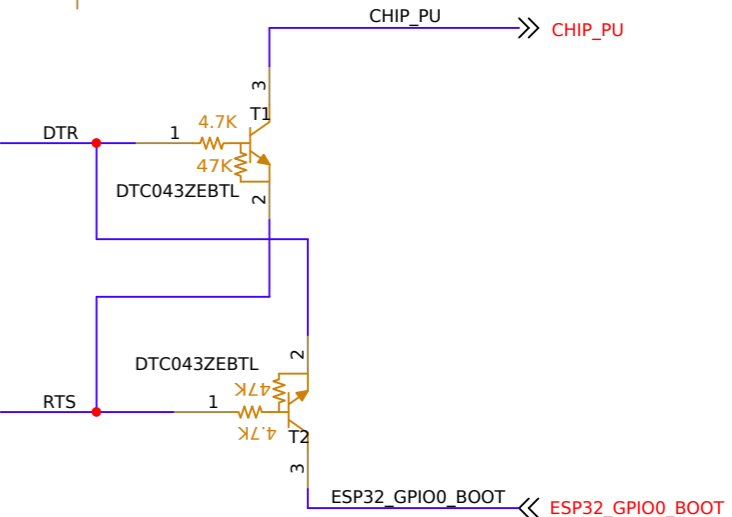
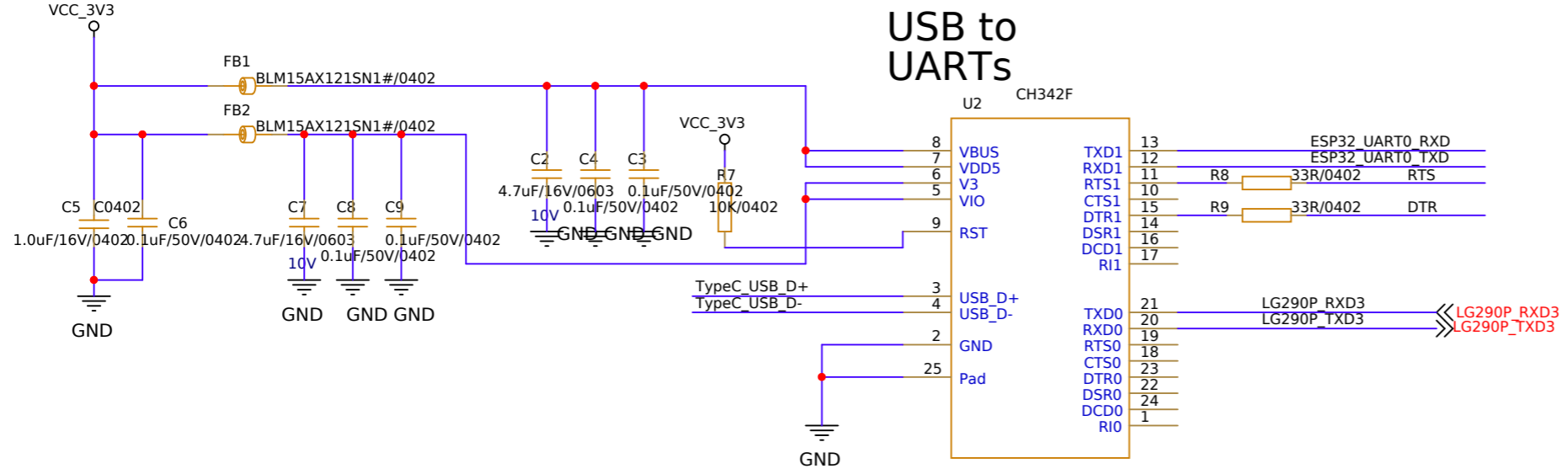
CHGE_STATUS >>> CHGE_STATUS

Title		Charge IC
Size	Document Number	Rev
A3	<Doc>	<Re
Date:	Saturday, September 27, 2025	Sheet 3 of 7

USB type-C



USB to UARTs



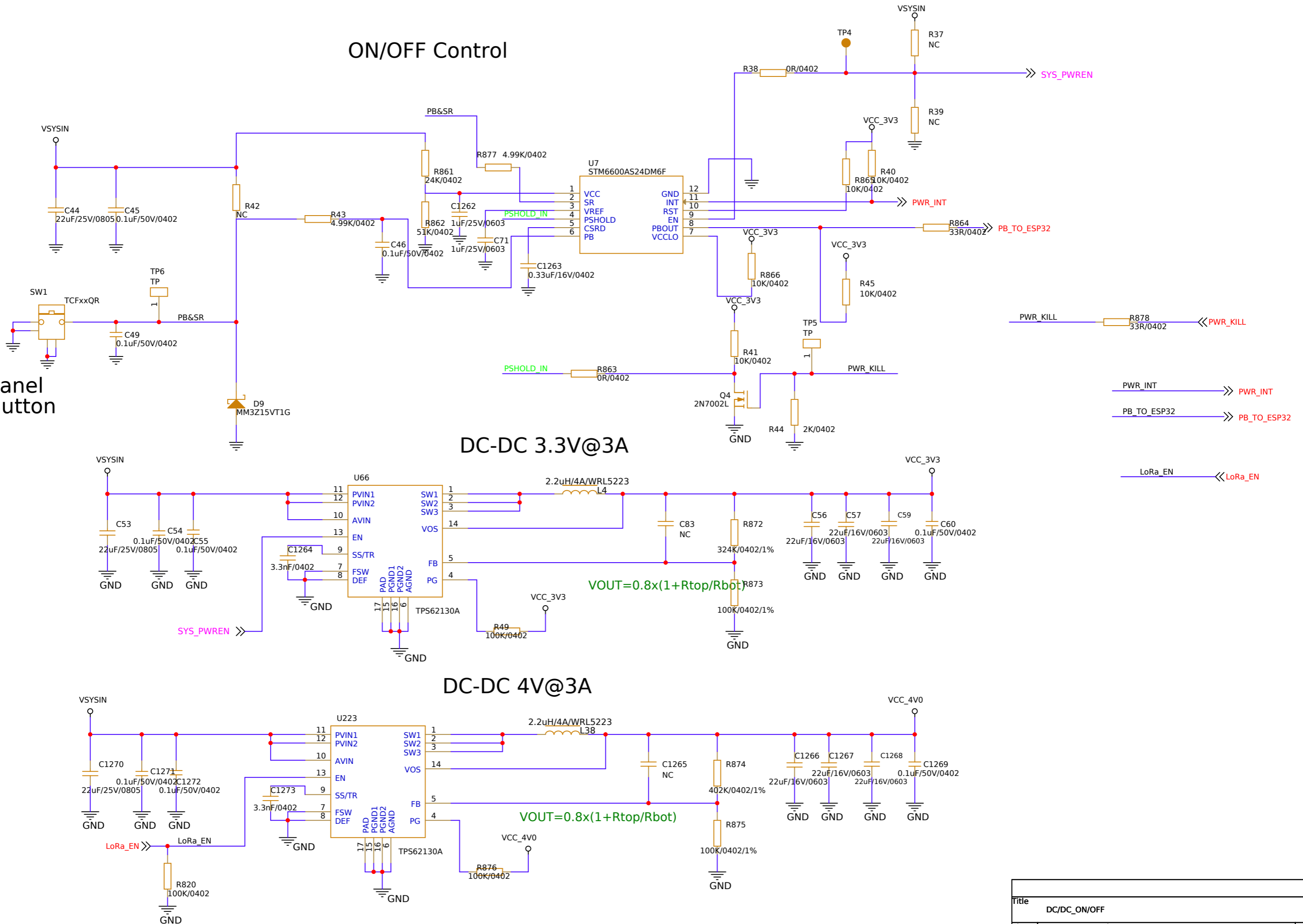
Title		
PWRIN&USB_to_UARTs		
Size	Document Number	Rev
A3	<Doc>	<RevC>
Date:	Monday, November 10, 2025	Sheet 2 of 7

ON/OFF Control

Panel Button

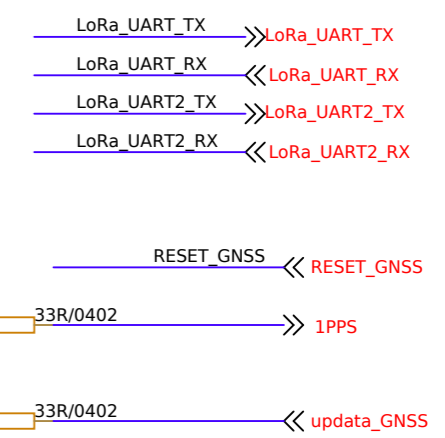
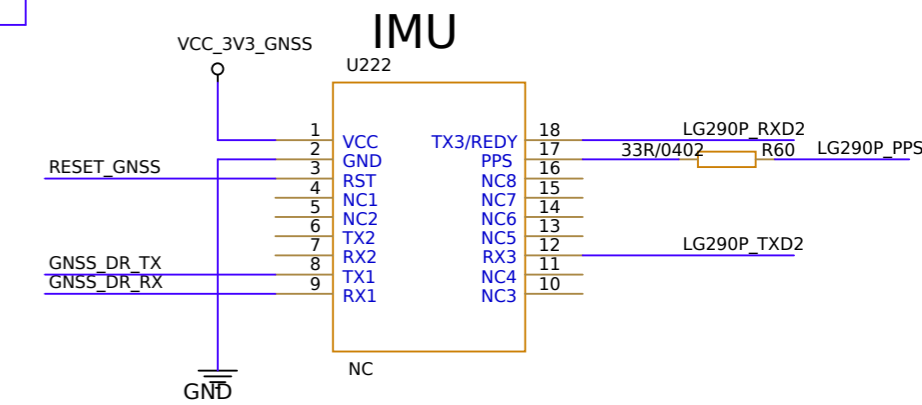
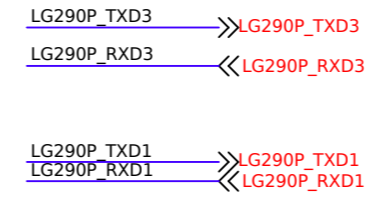
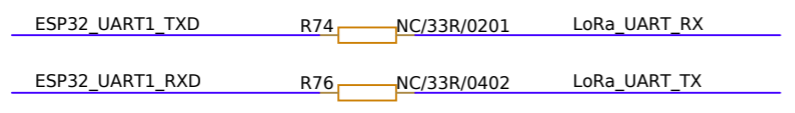
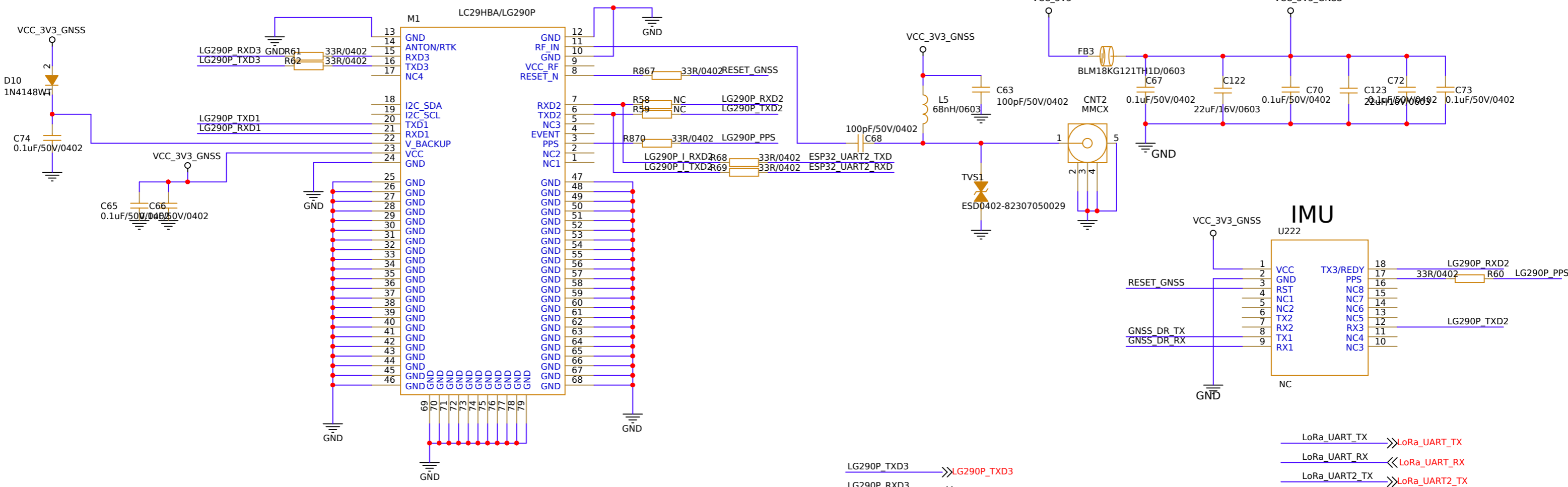
DC-DC 3.3V@3A

DC-DC 4V@3A

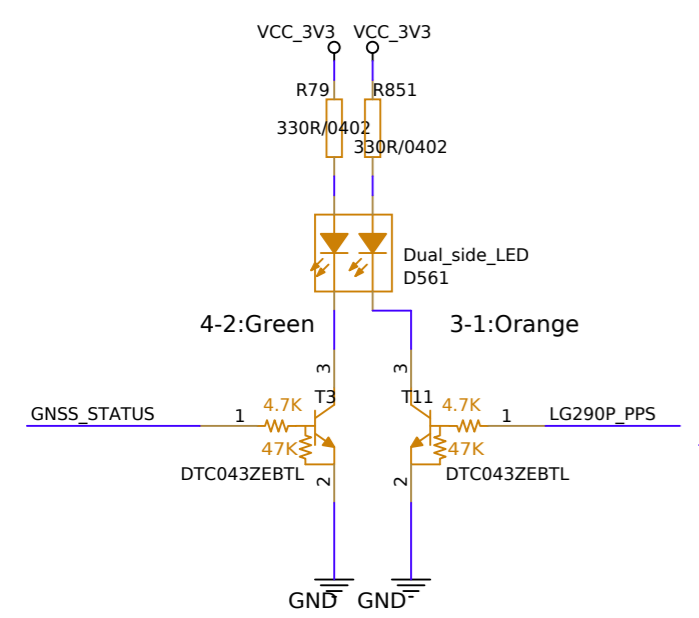


Title			DC/DC_ON/OFF
Size	A3	Document Number	<Doc>
Date:	Saturday, September 20, 2025	Sheet	4 of 7

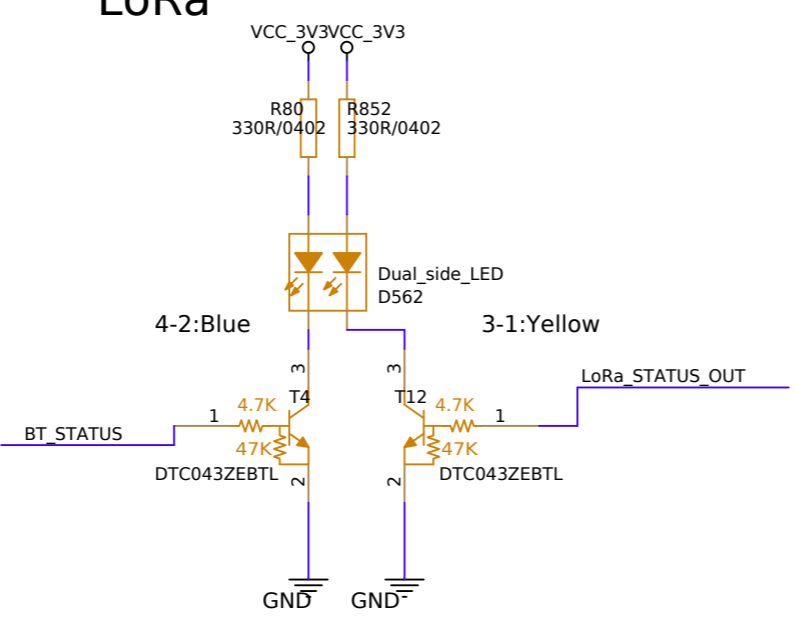
GNSS Module LG290P03AAMD



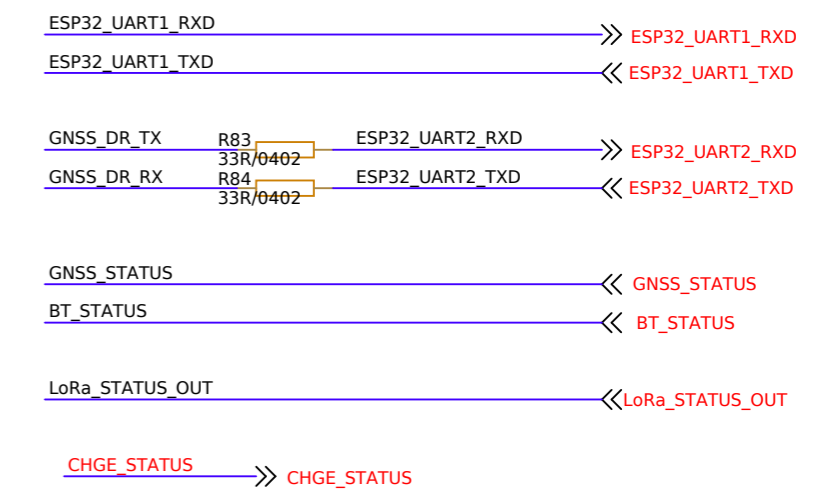
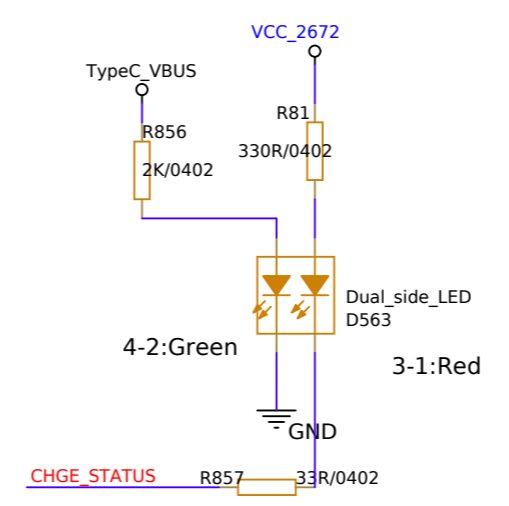
LED for GNSS



LED for BT-Wi-Fi & LoRa



LEDs for Charge



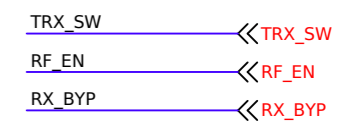
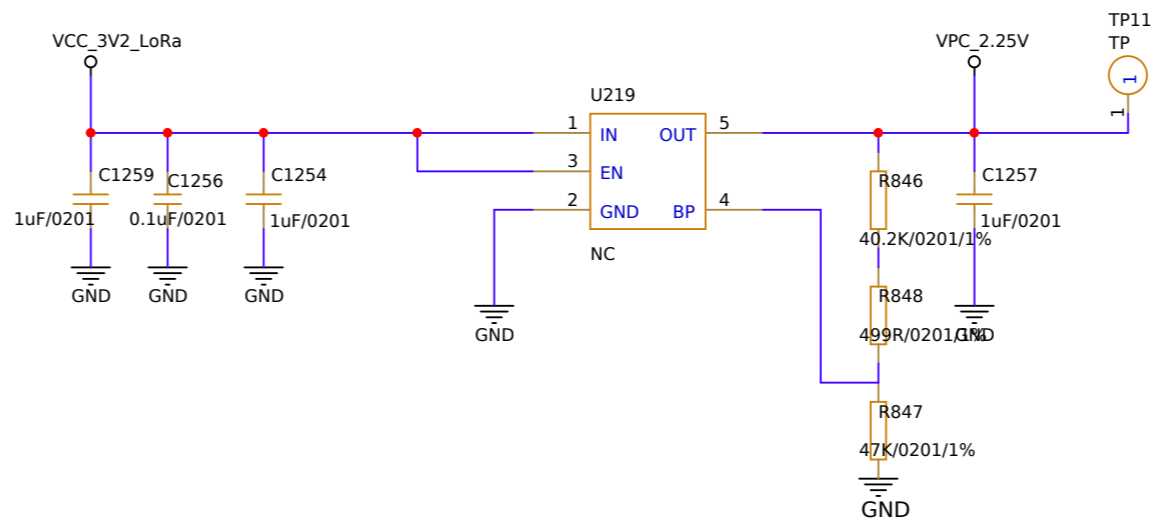
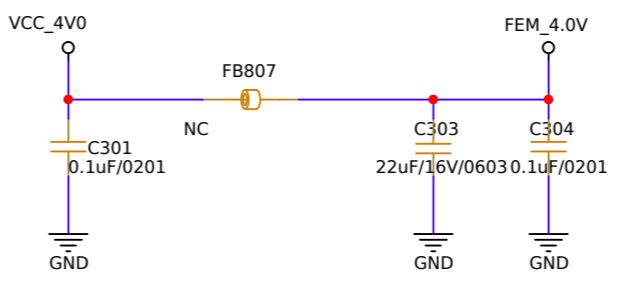
Title		
GNSS & LEDs		
Size	Document Number	Rev
A3	<Doc>	<Re
Date:	Saturday, September 27, 2025	Sheet 5 of 7

D

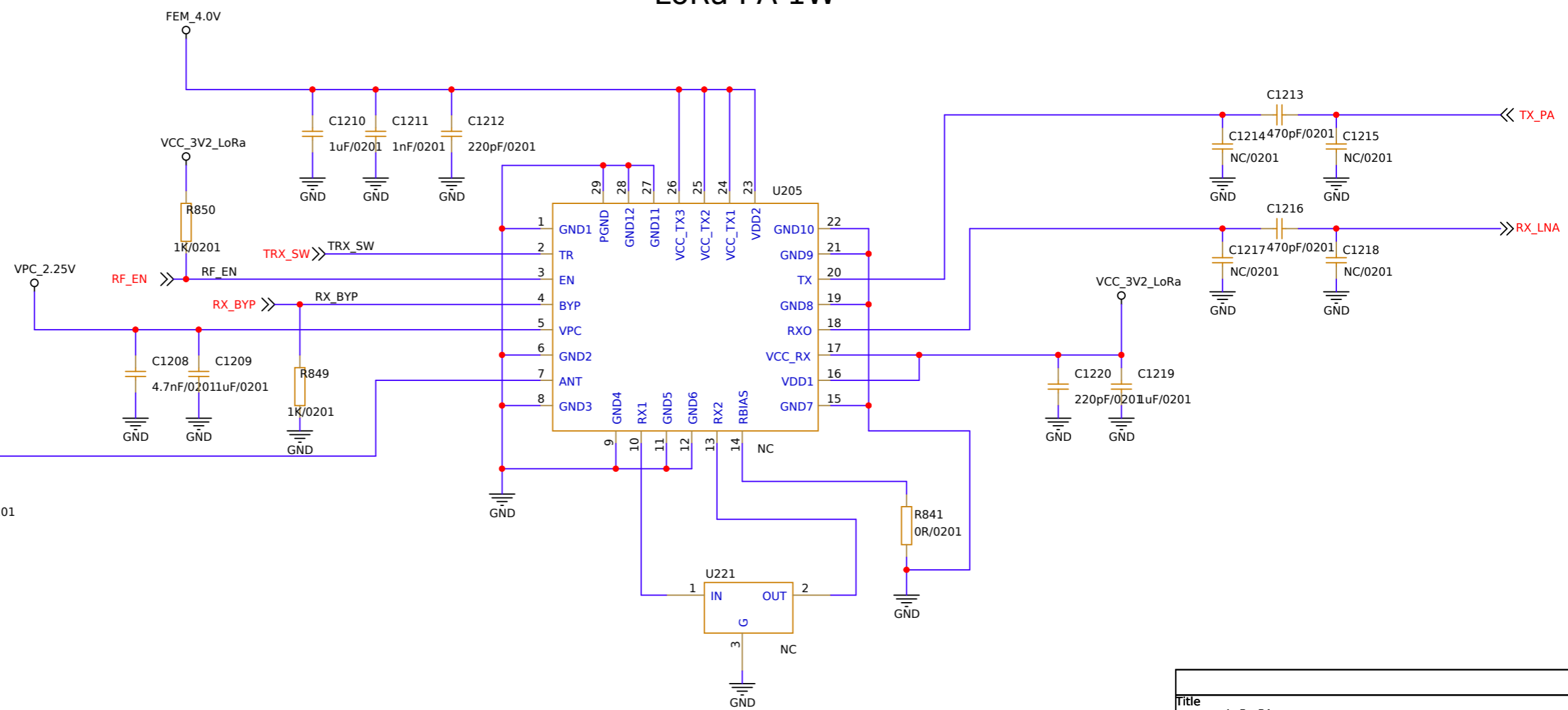
C

B

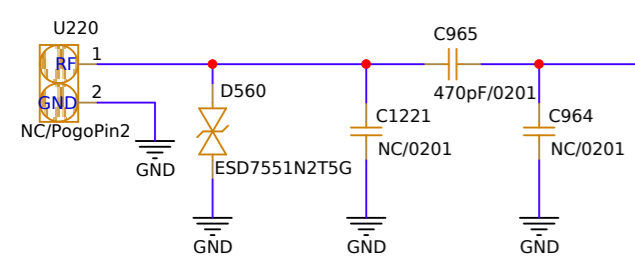
A



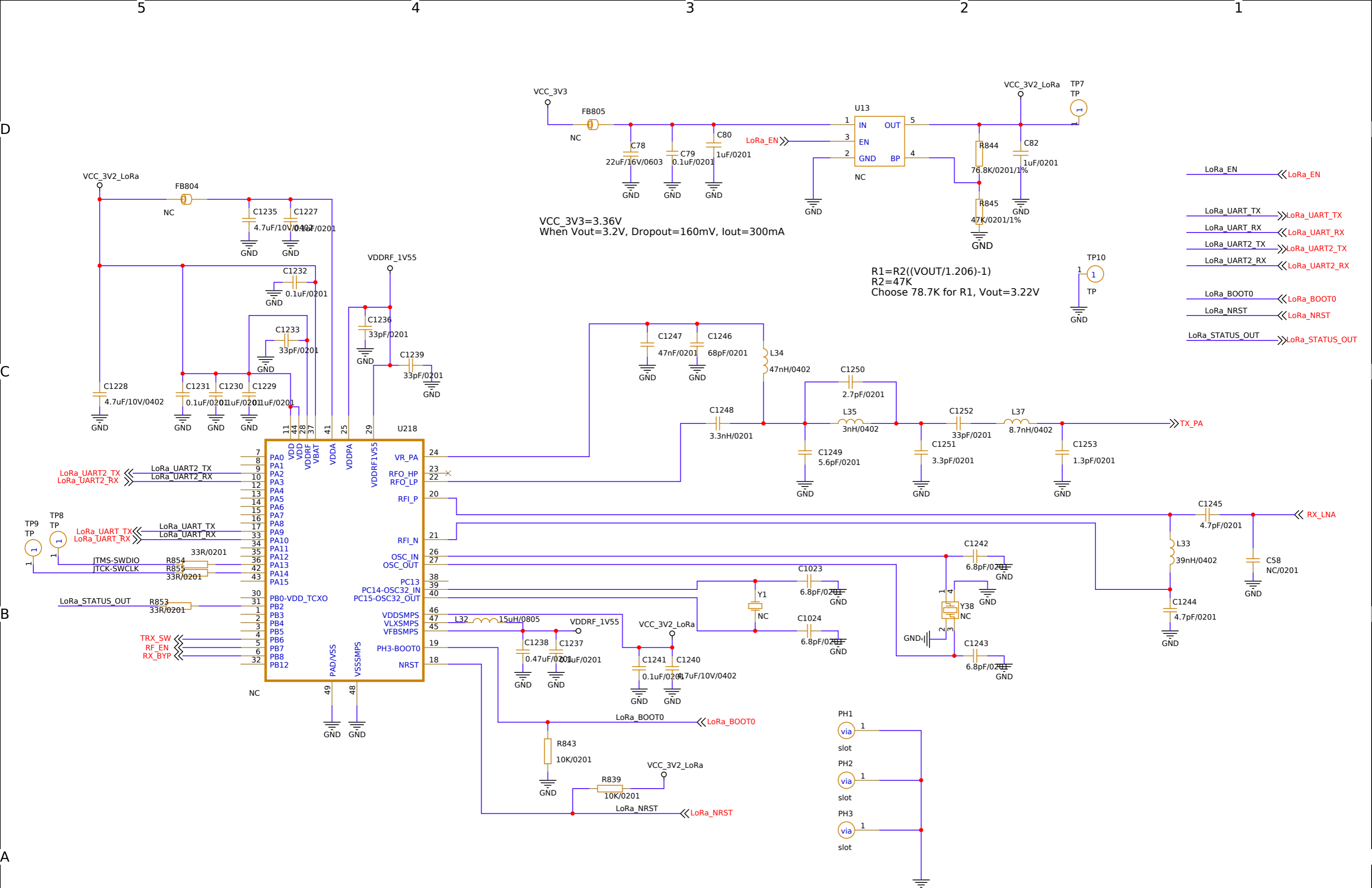
LoRa PA 1W



LoRa RF



Title		
LoRa PA		
Size	Document Number	Rev
A3	<Doc>	<Re
Date:	Sunday, September 14, 2025	Sheet 6 of 7



Title		
LoRa SOC		
Size	Document Number	Rev
A3	<Doc>	<Re
Date:	Sunday, September 14, 2025	Sheet 1 of 1

