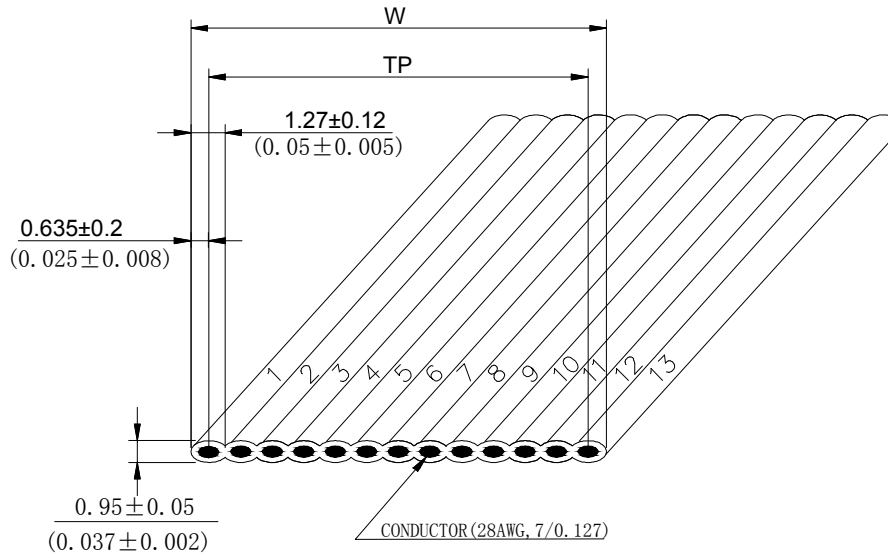


REV.	QTY	REVISED DESCRIPTION	DATE	CHECKED
A1		FIRST RELEASE	11.11.13	



PIN NO.	COLOR	顏色
1	brown	棕色
2	red	紅色
3	orange	橙色
4	yellow	黃色
5	green	綠色
6	blue	藍色
7	purple	紫色
8	gray	灰色
9	white	白色
10	black	黑色
11	brown	棕色
12	red	紅色
13	orange	橙色
.....	.....	.....

NOTE:  
 1.XIANGZHAN AWG 2651 28AWG 105C 300V  
 VW-1 I A 105°C 300V FT1  
 2. Will report the 1 after the space of producing NO

		<b>东莞市翔展电子有限公司</b>		FILE NO.	
SYMBOL	QTY	DESCRIPTION		REVISION	A1
▲	X	MAJOR DIMENSION		UNIT	mm
1. UNLESS OTHERWISE SPECIFIED, DIMENSIONS ARE IN UNITS TOLERANCE ARE AS FOLLOWS:		CUSTOMER P/N:		SCALE	NONE
2. ALL DIMENSIONS ARE "mm".		DESCRIPTION	XZR(28AWG,7/0.127)PH1.27	PAGE NO	1/3
METRIC ANGLES ±1/2 DEG.			RAINBOW CABLE	DATE	11. 11. 13
.XXX±.003		APPROVED	CHECKED	ENGINEER	DRAWN
.XX±.05					
.X±.1					