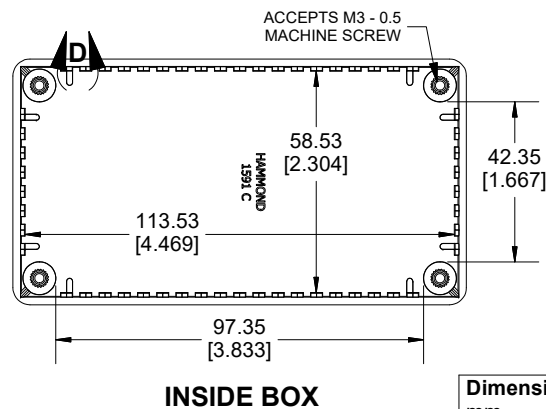
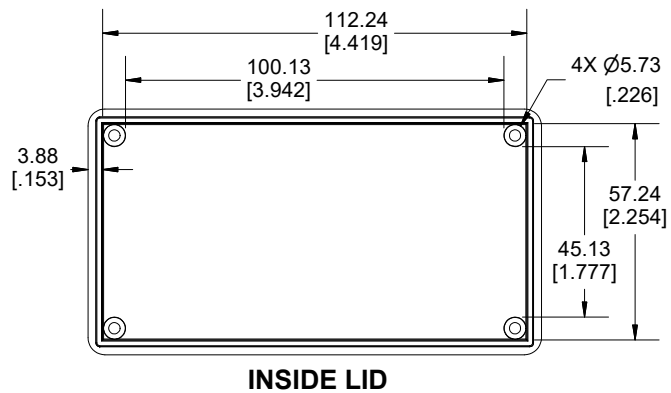
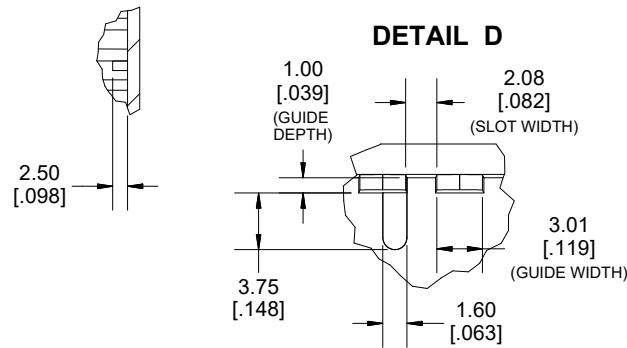
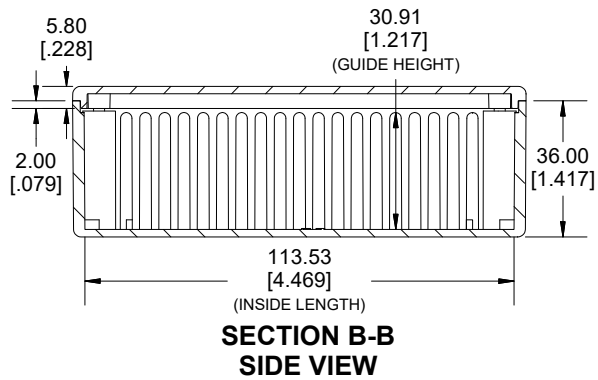


DETAIL C



Enclosures can be Factory Modified (Milling, Drilling, Printing etc.)
 Contact Factory (modshop@hammfg.com) for quotes
 Solid models of this enclosure available in .stp or .x_t
 (Part number and text placement/orientation on our products are subject to change.
 We do not recommend using them as a locating reference for modification purposes)

NOTE	
Purchased assembly includes box, lid, 4 cover screws, and pre-installed brass inserts.	
Enclosure made from FRABS or Polycarbonate.	
Recommended Torque: 42-57 ozf.in (30-40 cN.m)	

PART NUMBERS		
1591C Enclosure		
Material	Colour	Part Number
FR ABS UL94 -V0	Black	1591CBK
	Blue	1591CBU
	Grey	1591CGY
Translucent Polycarbonate	Ice Blue	1591CTBU
	IR Red	1591CTRD
	Crystal Clear	1591CTCL
Accessories		
Plated Cover screw		1591MS100 (Silver)
M3 - 0.5 X 10mm (100Pkg)		1591MS100BK (Black)
PC Board Card Adapters		1591Z6 (6Pkg)
		1591Z50 (50 Pkg)
		1591Z100 (100Pkg)

**HAMMOND
MANUFACTURING.**

1591C

www.hammondmfg.com

Dimensions:
mm
[inches]