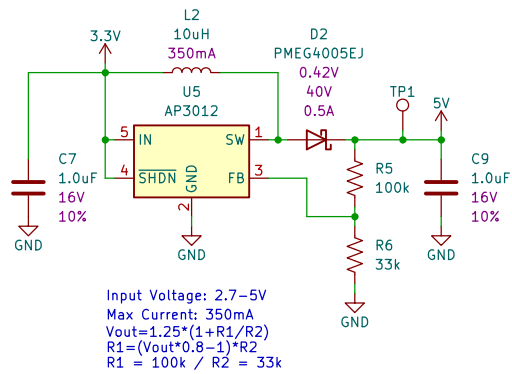
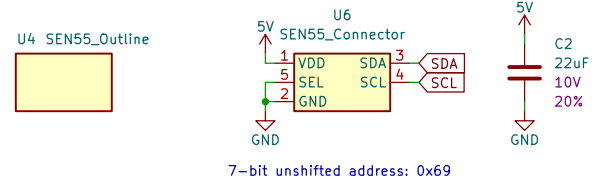


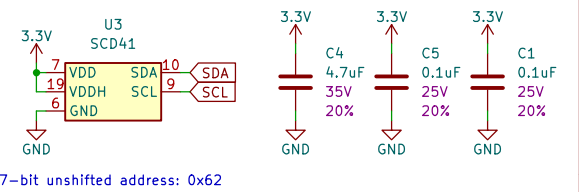
## 5V Boost



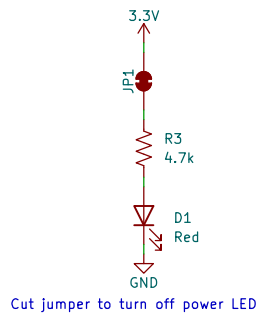
## PPM / VOC / Humidity Sensor



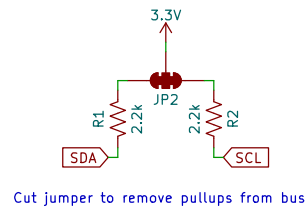
## CO<sub>2</sub> Sensor



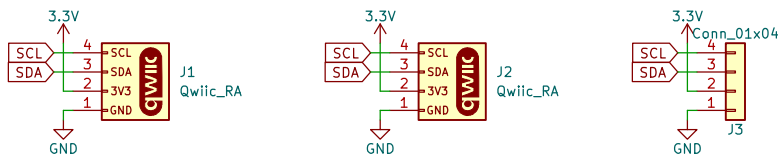
## Power LED



## I<sup>2</sup>C Pullups



## Connectors



Designed by: N. Seidle

Sheet: /  
 File: SparkFun Indoor Air Quality Sensor - SCD41 SEN55.kicad\_sch

**Title: SparkFun Indoor Air Quality Sensor - SCD41 SEN55 (Qwiic)**

Size: USLetter Date: 2024-03-06  
 KiCad E.D.A. 8.0.4



Rev: v10  
 Id: 1/1