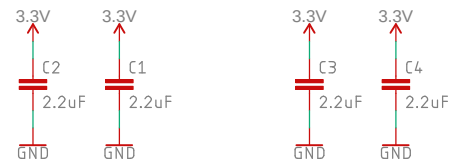
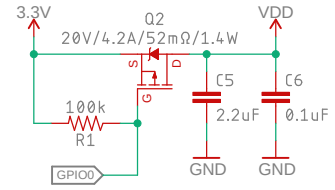
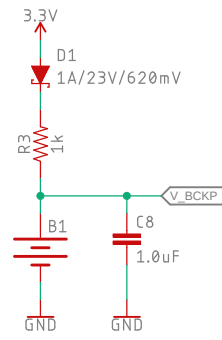


Power Switching

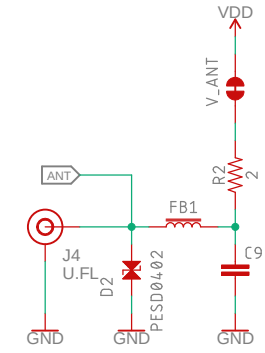


Back-Up Voltage



Antenna

RF Track Impedance: Coplanar Waveguide with Ground Calculations
<https://chemandy.com/calculators/coplanar-waveguide-with-ground-calculator.htm>
 JLCPCB JLC7628 4-Layer 0.8mm Impedance Control Stackup (Er = 4.6)
 Ground is on layer 2.
 Prepreg thickness: 0.2mm
 12 mil track with 4 mil gap = 49.5 Ohms

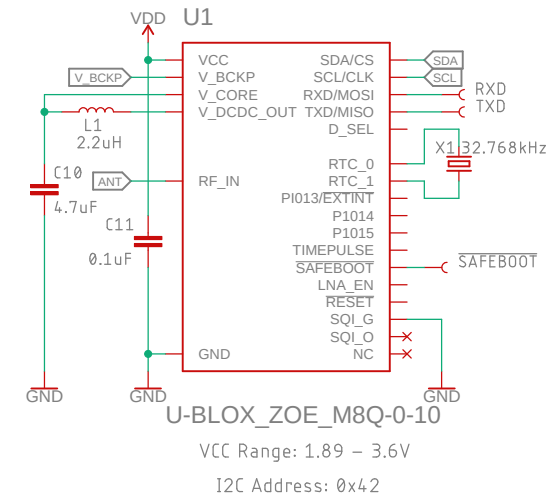
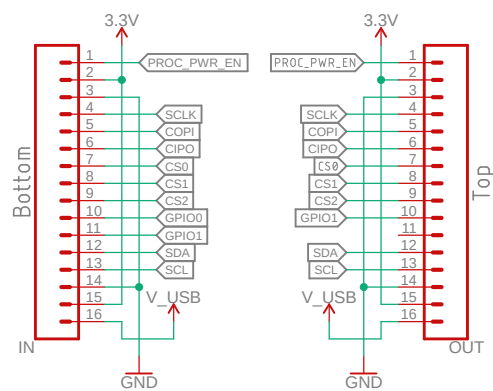


u-blox ZOE-M8Q-0-10

Test Points



smøl Connectors



smøl

open hardware

SPARKX

Released under the Creative Commons Attribution Share-Alike 4.0 License https://creativecommons.org/licenses/by-sa/4.0/		Special Instructions
TITLE: SparkX_smøl_ZOE-M8Q		REV: X02
Design by: Paul Clark		Date: 07/04/2022 08:01
Date: 07/04/2022 08:01		Sheet: 1/1