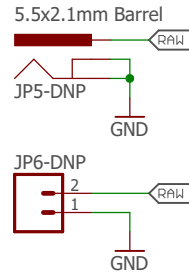
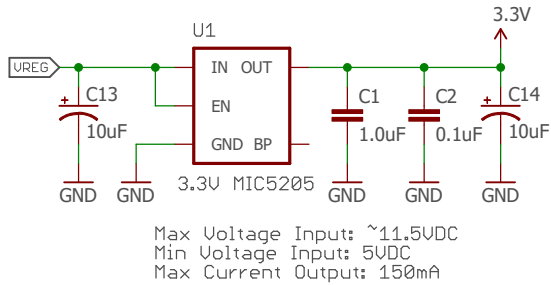
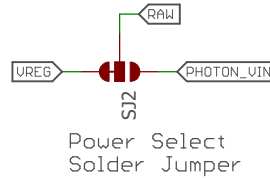


Power

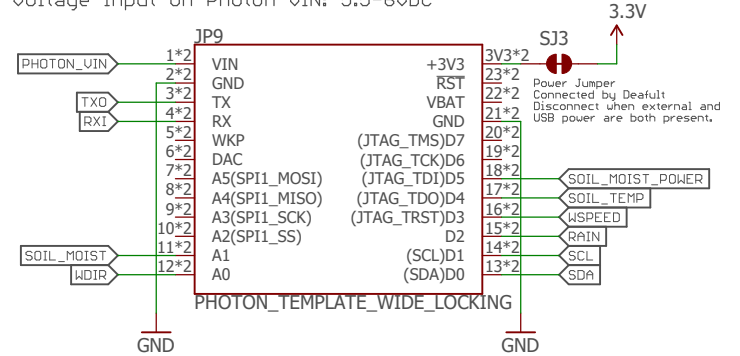


Power Selection



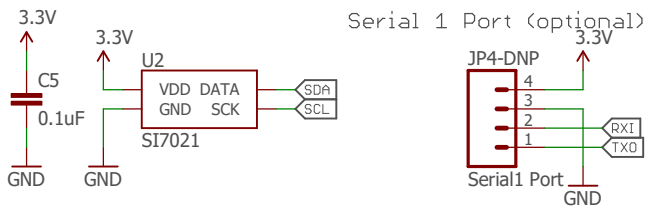
Photon Footprint

Max Voltage Input on Photon VIN: 5.5-6VDC



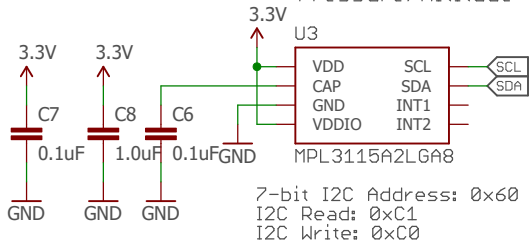
Sensors

Humidity & Temperature

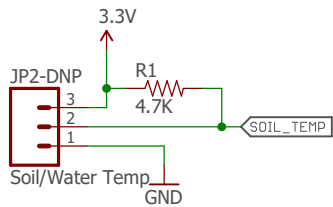


7-bit I2C Address: 0x40
I2C Read: 0x81
I2C Write: 0x80

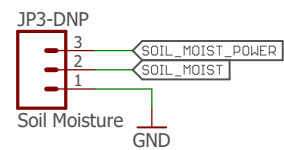
Pressure/Altitude



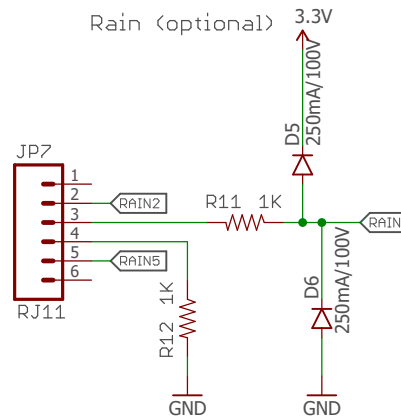
DS18B20
Soil/Water Temperature (optional)



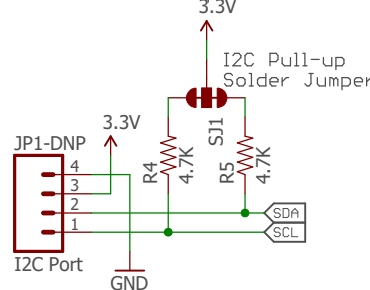
Soil Moisture (optional)



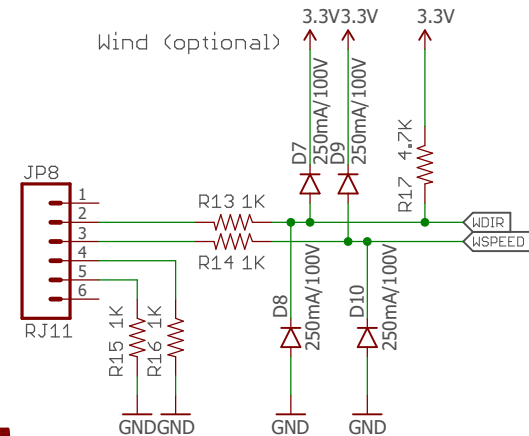
Rain (optional)



I2C Port (optional)



Wind (optional)



open hardware

sparkfun

Released under the Creative Commons
Attribution Share-Alike 4.0 License
<https://creativecommons.org/licenses/by-sa/4.0/>

TITLE: SparkFun_Photon_Weather_Shield_U11

Design by: Joel Bartlett

REV:
U11

Based on the Weather Shield for Arduino by Nathan Seidlet

Date: not saved!

Sheet: 1/1