

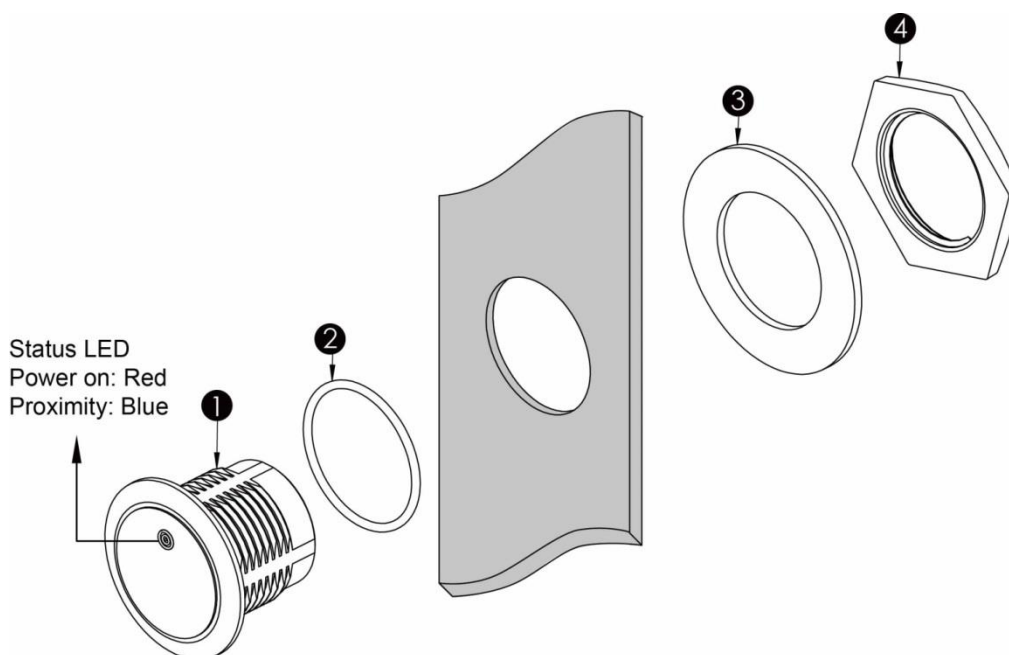
● Features

- Built-in micro controller for decoding infrared signal to avoid interference from the noise.
- With bi-color status LED (Power on: **Red**/ Proximity: **Blue**).
- Adjustable proximity range: **3~15cm** (Default: 15 cm), depending on the reflection rate of different object.
- Support **adjustable opening time 0.5~20 Sec.** (Default: 0.5 Sec.) or **latched ON or OFF output**.
- With **N.C.** and **N.O.** output.

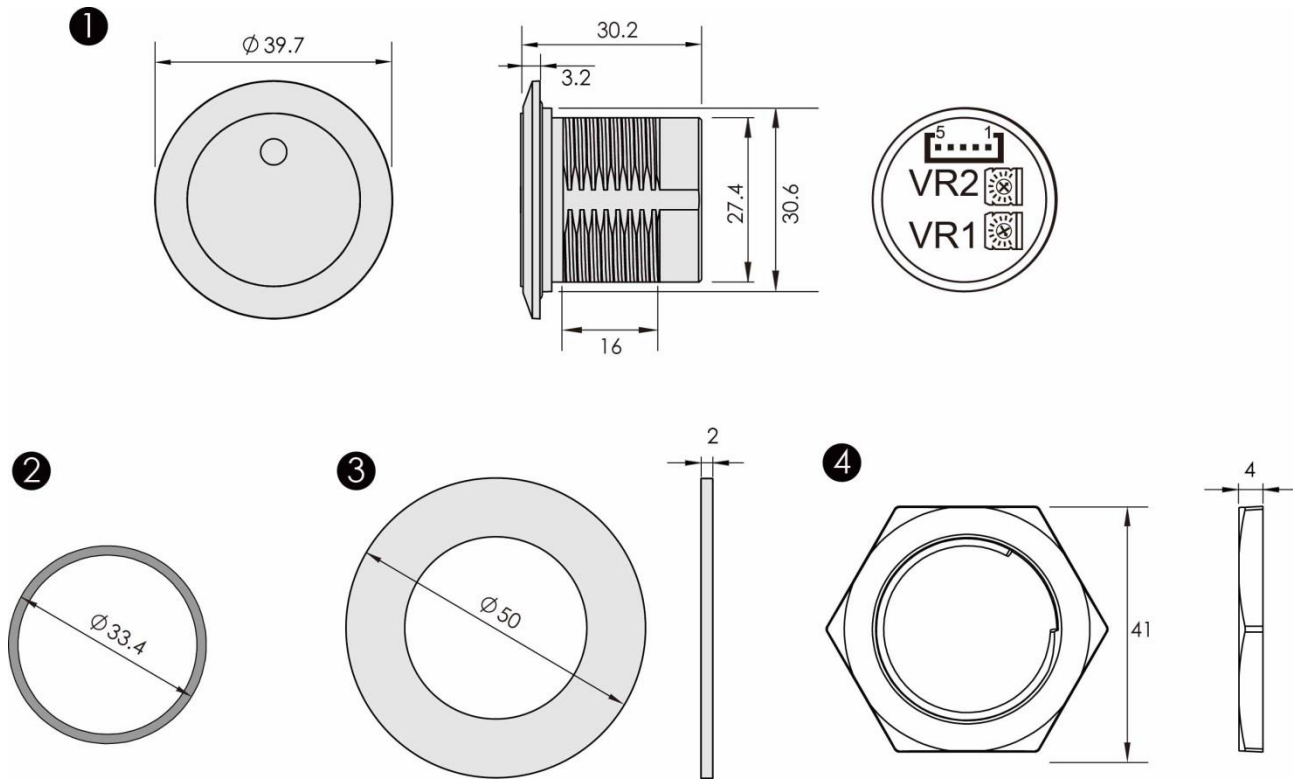
● Specification

Material	Polycarbonate fire & UV proof
Waterproof	IP65
Power supply	DC 10V~24V
Relay contact rating	1A@30VDC, 0.3A@60VDC, 0.5A@125VAC
Current	Standby Current: 20mA@10VDC, 13mA@24VDC Operating Current: 42mA@10VDC, 26mA@24VDC
Operating temperature	-20°C ~ 75°C
Life	Mechanical : 10,000,000 operations min (at 1800 operations / hr) Electrical : 100,000 operations min (at 1200 operations / hr)

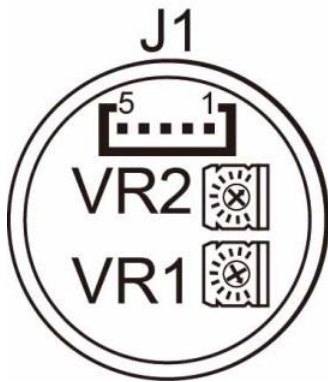
● Appearance



● Dimension: Unit(mm)



● Pin definition



J1 - Power and relay output			
	Pin	Color	Function
	1	Red	DC10~24V
	2	Black	GND
	3	Grey	COM.
	4	Brown	N.O.
5	Yellow	N.C.	

VR1 - Adjustable opening time. (Unit: Sec.)	
	Adjustable opening time : 0.5~20 Sec. Latch ON or OFF: Turn right to the end (Default: 0.5 Sec.)

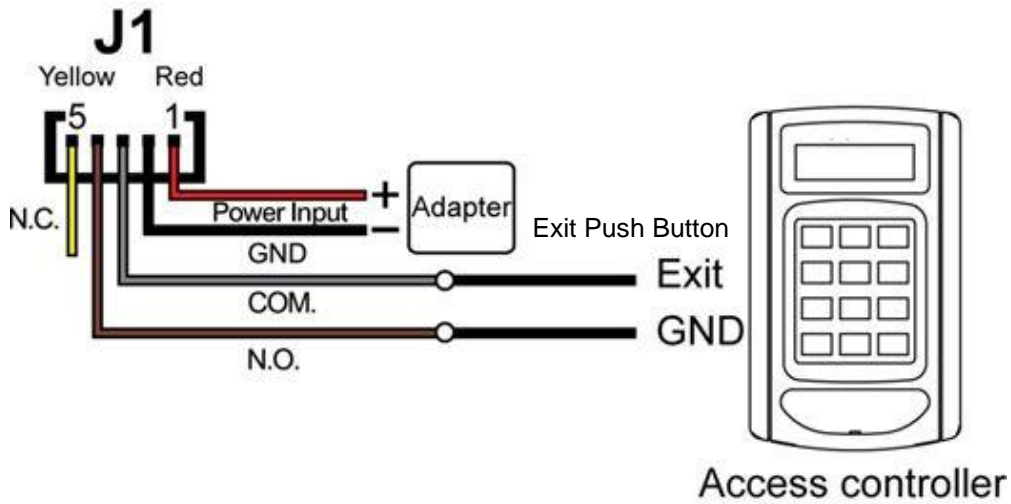
VR2 - Adjustable proximity range. (Unit: cm)	
	Adjustable proximity range: 3~15cm (Default: 15 cm)

- **Note**

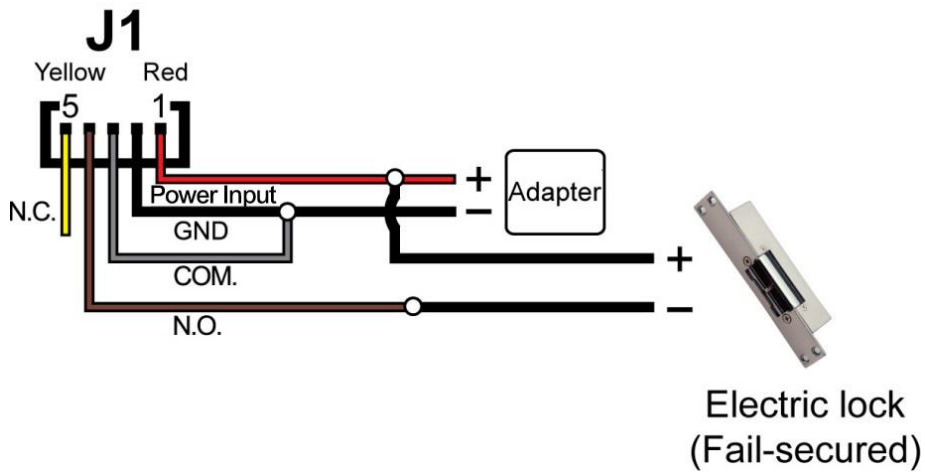
- Please make sure the voltage range before installing to avoid product damage.
- Please check no other object in front of the infrared sensor before turning on the power.
- Please re-transmission power or proximity the infrared sensor three times after adjusting VR1.
- Attention: Please do not turn the internal PCB to prevent light leak and further act incorrectly.

- **Wiring diagram**

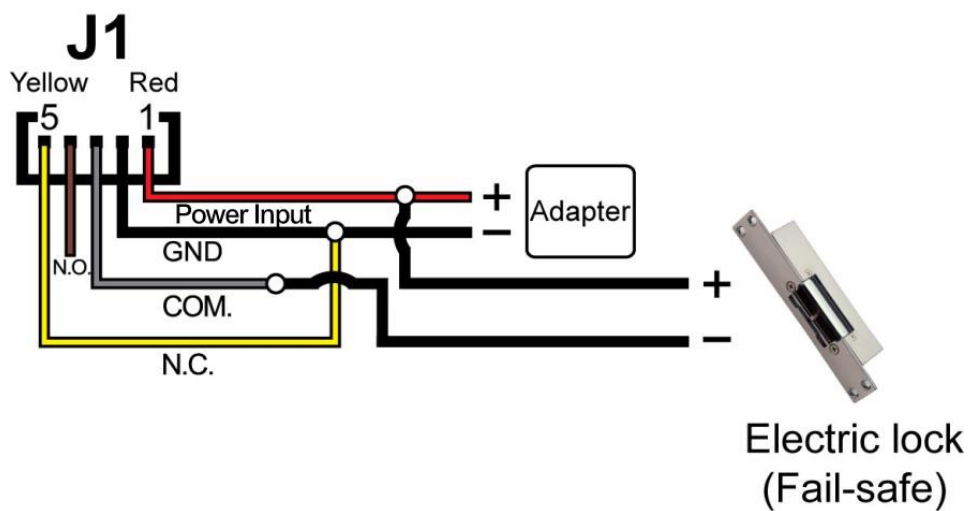
Connect to access controller



Connect to electric lock (Fail-secured)



Connect to electric lock (Fail-safe)



● **Packing list**

- Manual : 1 pcs
- 5 Pin connector : 1 pcs

