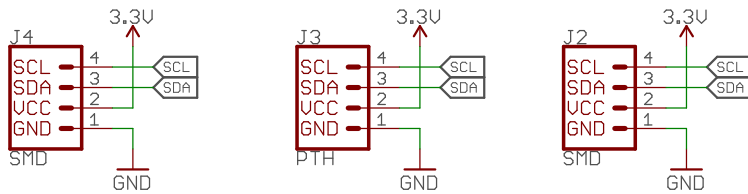
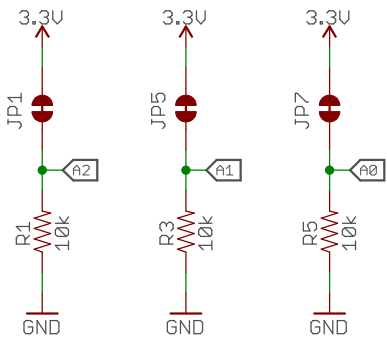


I²C



Address Bit Selection
Default: 0x27



| A2 | A1 | A0 | Address |
|----|----|----|---------|
| 0 | 0 | 0 | 0x20 |
| 0 | 0 | 1 | 0x21 |
| 0 | 1 | 0 | 0x22 |
| 0 | 1 | 1 | 0x23 |
| 1 | 0 | 0 | 0x24 |
| 1 | 0 | 1 | 0x25 |
| 1 | 1 | 0 | 0x26 |
| 1 | 1 | 1 | 0x27 |

default



open hardware

SPARK X

Released under the Creative Commons Attribution Share-Alike 4.0 License
<https://creativecommons.org/licenses/by-sa/4.0/>

TITLE: Qwiic_GPIO

Design by: Kevin Kuwata

REV:
X10

Date: 4/26/2018 2:38 PM

Sheet: 1/1