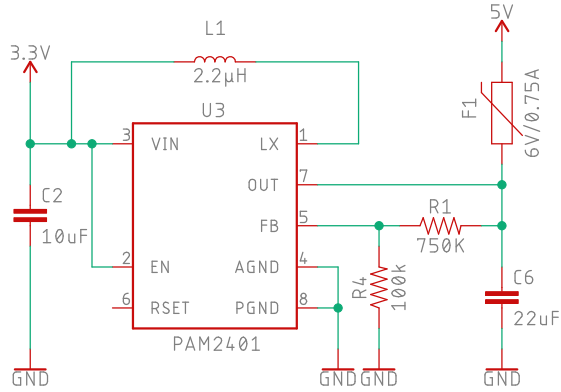
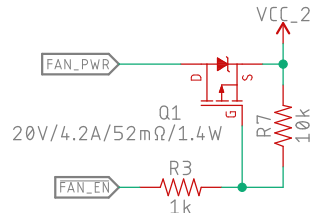


DC-DC Converter

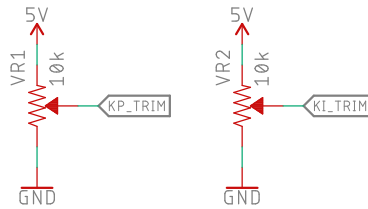
Acceptable input voltage: 2.4-4.75 (3.3V via Qwiic)



Fan Power MOSFET



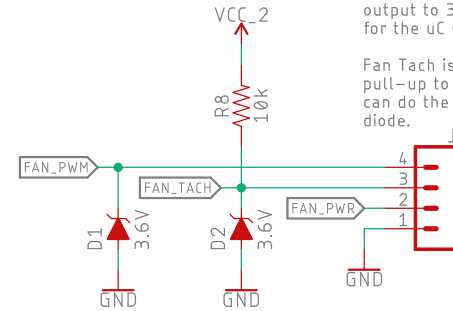
PID Tuning Pots



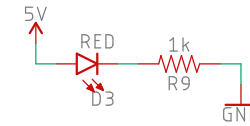
Fan Header

Fan PWM is open-collector and drives up to VCC_2 so a zener diode is used to clamp the output to 3.6V which should be a safe logic 1 for the uC (5v)

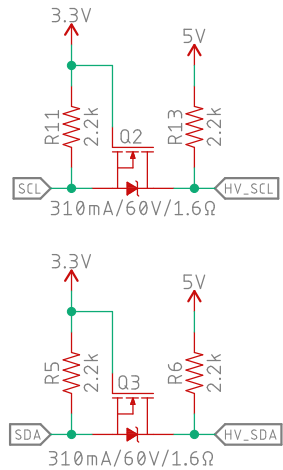
Fan Tach is also open-collector and requires a pull-up to VCC_2. Being a pulse signal, we can do the same trick here with a clamping diode.



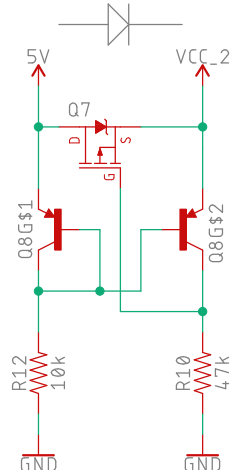
Power LED



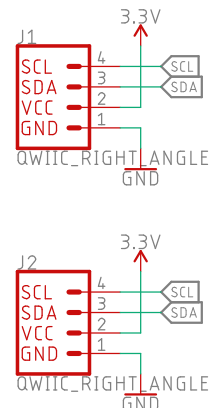
Qwiic Logic Level Translation



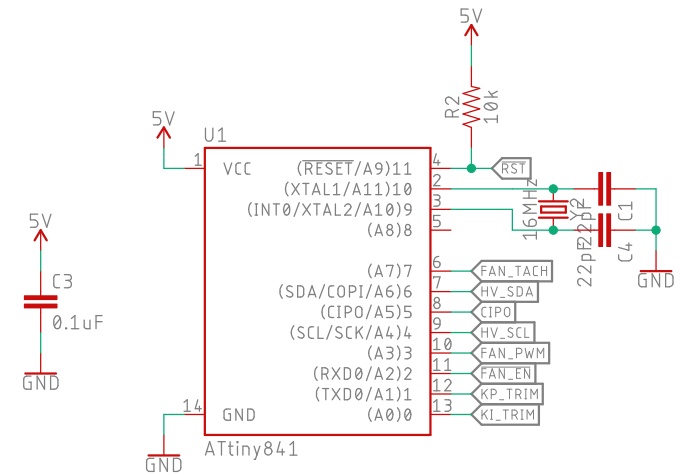
Power Rail Protection



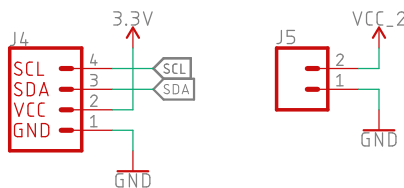
Qwiic Connectors



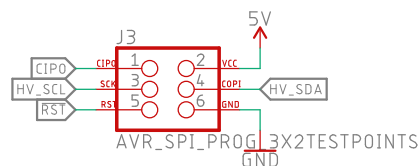
ATtiny841



0.1" Pin Headers



AVR ISP Connector



Released under the Creative Commons Attribution Share-Alike 4.0 License
<https://creativecommons.org/licenses/by-sa/4.0/>

TITLE: Qwiic_4_Pin_Fan_Controller

Design by:

REV:

Date: 2/10/2022 5:02 PM

Sheet: 1/1