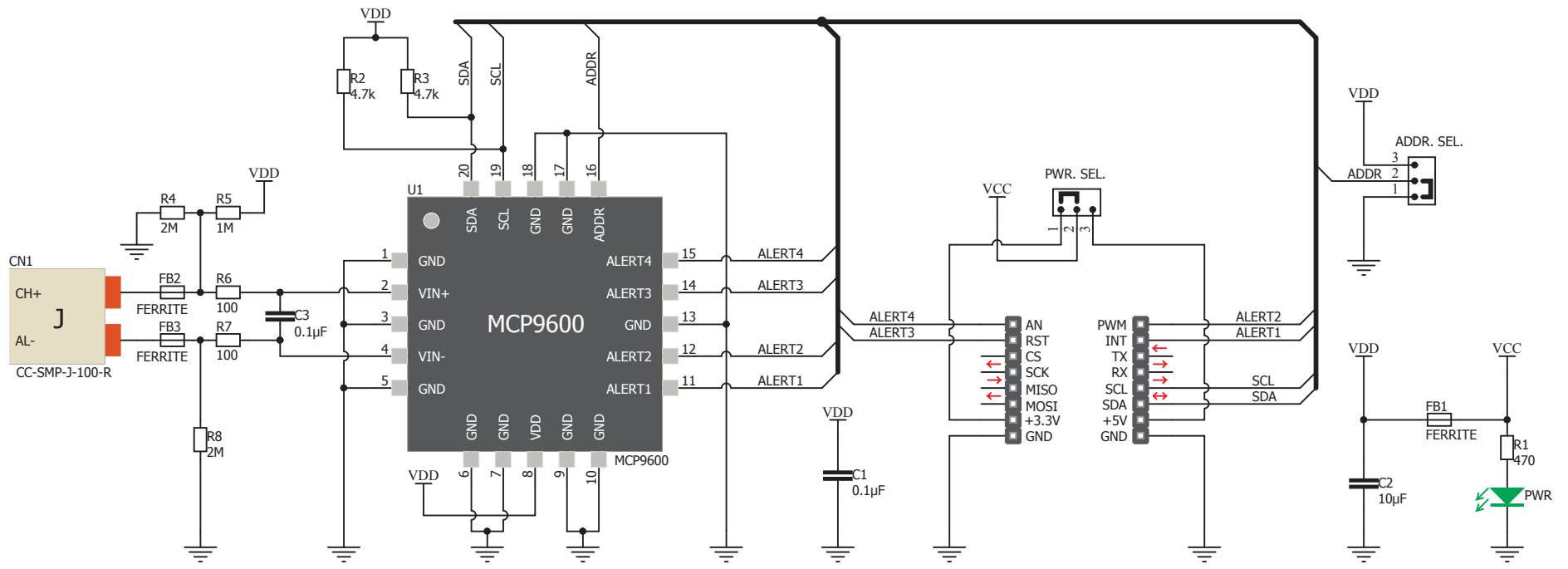


THERMO J click schematic v100



www.mikroe.com