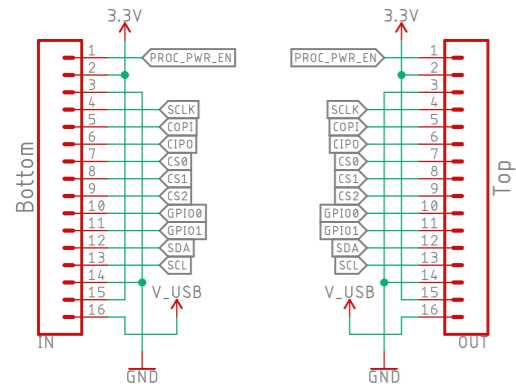
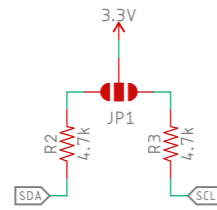


## smôl Connectors

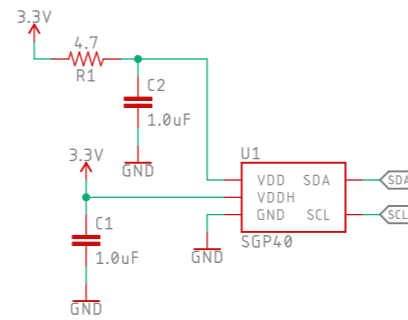


## I2C Pull-ups

Close jumper to enable I2C pull-up resistors

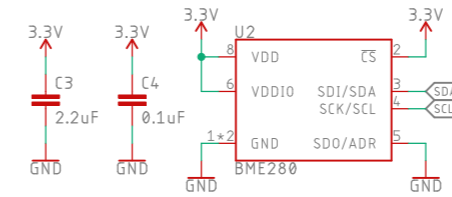


## SGP40



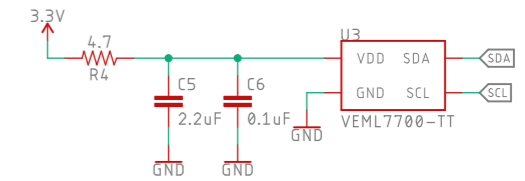
I2C Address = 0x59

## BME280



I2C Address = 0x76

## VEML7700



I2C Address = 0x10

smôl



Released under the Creative Commons Attribution-ShareAlike 4.0 License <a href="https://creativecommons.org/licenses/by-sa/4.0/">https://creativecommons.org/licenses/by-sa/4.0/</a>		Special Instructions 
TITLE: SparkX_smol_Environmental		
Design by: Paul Clark		REV: X01
Date: 02/11/2021 11:40	Sheet: 1/1	