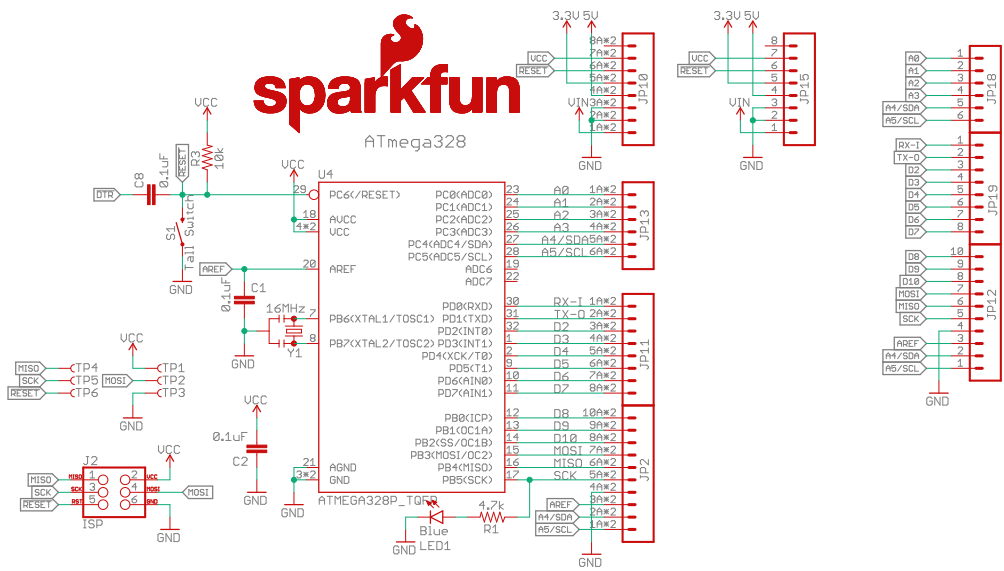


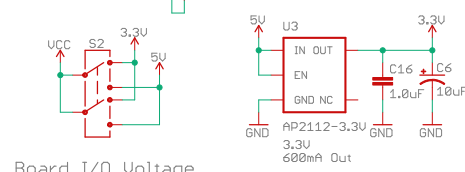
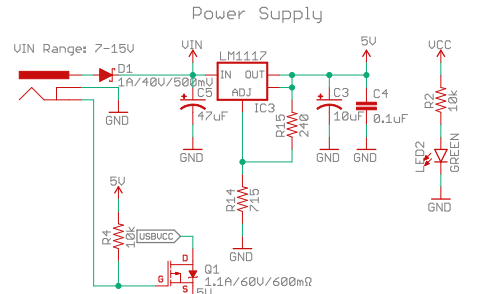


ATmega328



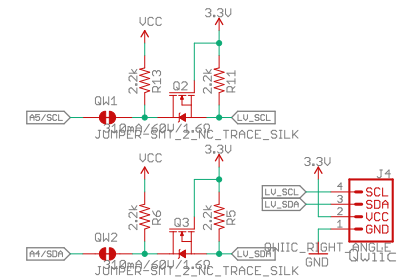
SMD Headers

PTH Connections



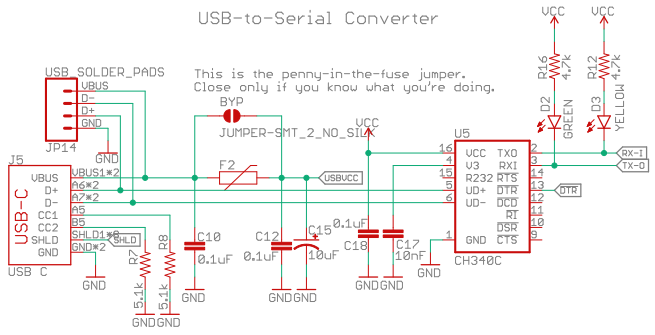
Slide the switch to change the I/O Voltage. Applying tape over switch is recommended to prevent accidental change. This switch is limited to 1.20A.

Quicic 3.3U Conversion



Note: Cut QW1 and QW2 to disconnect Quicic and allow A4/A5 as analog inputs.

USB-to-Serial Converter



This is the penny-in-the-fuse jumper. Close only if you know what you're doing.

Trace width calculation:
2A, 1oz. copper
10C rise in temperature
30.8 mil width
<https://www.eeweb.com/tools/external-pcb-trace-max-current>



open hardware

Released under the Creative Commons Attribution Share-Alike 4.0 License
<https://creativecommons.org/licenses/by-sa/4.0/>

TITLE: BlackBoard

Design by: Jim Lindblom, N. Seidle
 Based on Arduino by: M.Banzi, D.Cuartielles, T.Igoe, G.Martino, D.Mellis

REV: X04

Date: 6/29/2020 2:15 PM

Sheet: 1/1