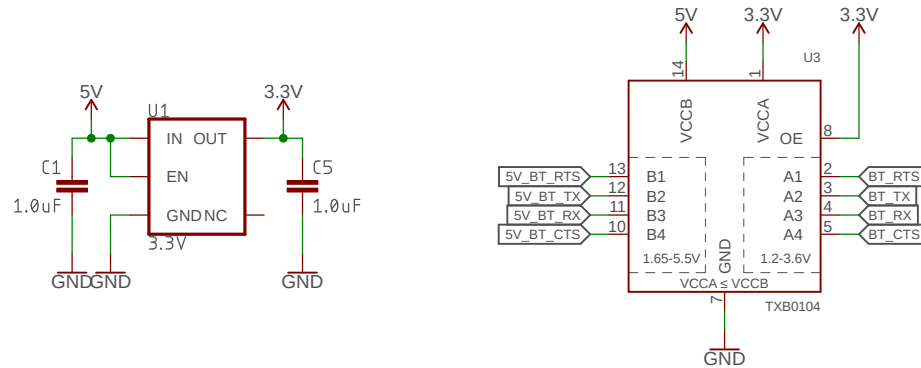
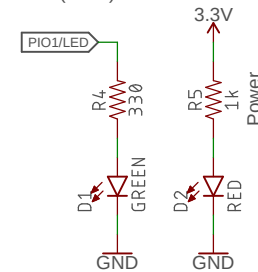


3.3V Regulator & Level Switching

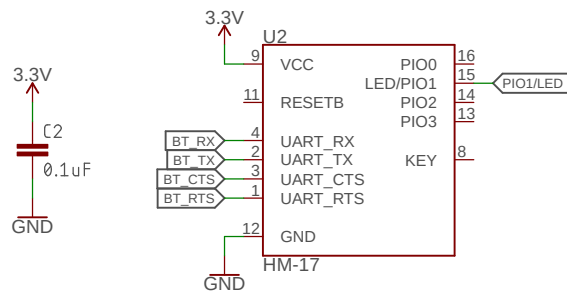


LEDs

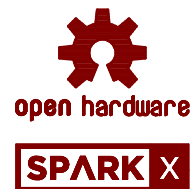
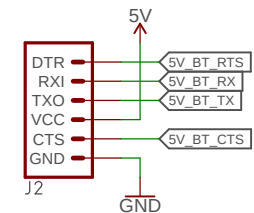
Connection LED:
 - Unconnected: 1Hz blink (or off)
 - Connected: ON



Bluetooth Module (HC-11, HC13, HC-17, HC-19)



Connectors



Released under the Creative Commons
 Attribution Share-Alike 4.0 License
<https://creativecommons.org/licenses/by-sa/4.0/>

TITLE: Bluetooth_Mate_4.0

Design by:
 Jim Lindblom

REV:
 x01

Date: 6/8/2018 10:24 AM

Sheet: 1/1