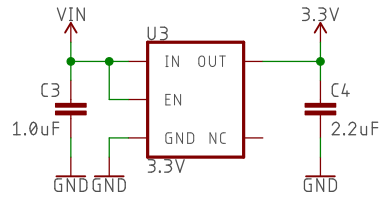
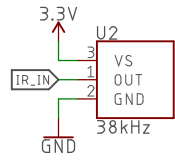


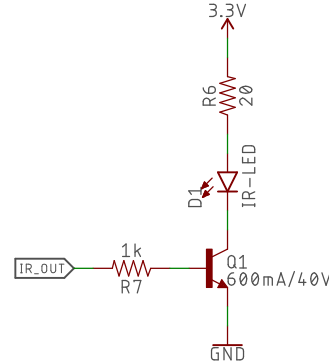
Voltage Regulator



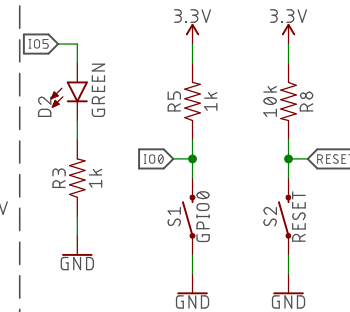
IR Receiver -- 38kHz



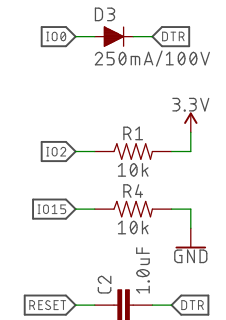
IR Emitter



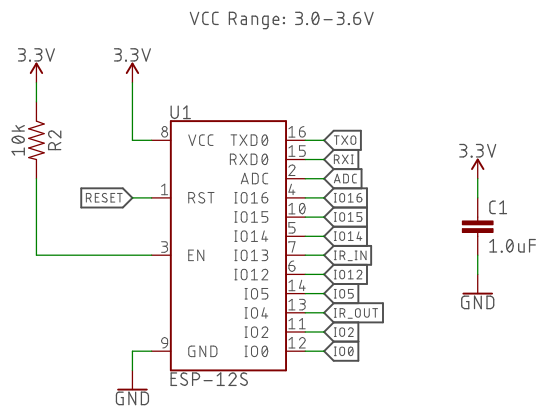
Boot Mode/Buttons



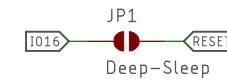
Boot Mode Default-Select



ESP-12S

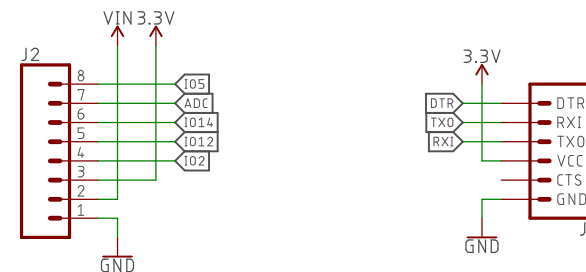


Deep Sleep Jumper



Close JP1 to enable deep sleep on the ESP8266

Headers



Released under the Creative Commons Attribution Share-Alike 4.0 License
<https://creativecommons.org/licenses/by-sa/4.0/>

TITLE: esp8266_ir_blaster

Design by: Jim Lindblom



REV: x02

Date: 9/17/2018 11:27 AM

Sheet: 1/1

