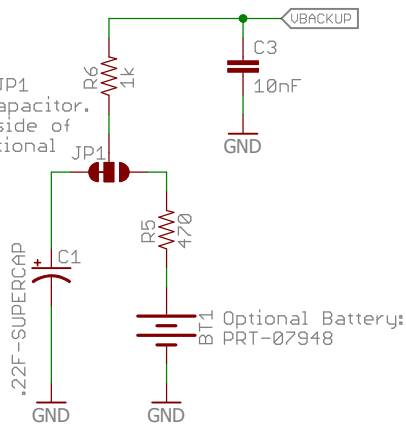
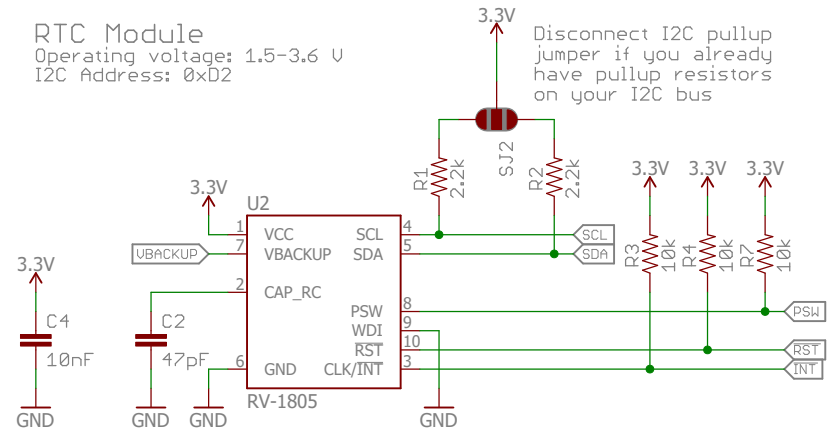


## SuperCapacitor Power Backup

Cut trace on jumper JP1 to disconnect SuperCapacitor. Add solder to other side of jumper to connect optional battery

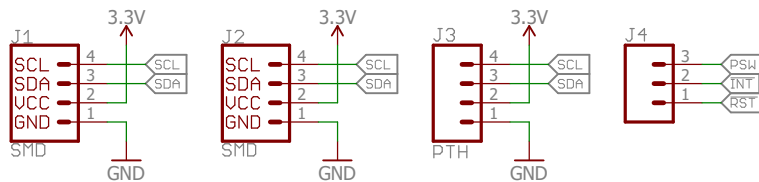


RTC Module  
Operating voltage: 1.5-3.6 V  
I2C Address: 0xD2



Disconnect I2C pullup jumper if you already have pullup resistors on your I2C bus

## Qwiic Connectors/ I2C Interface



**sparkfun**

**open hardware**

Released under the Creative Commons Attribution Share-Alike 4.0 License  
<https://creativecommons.org/licenses/by-sa/4.0/>



TITLE: SparkFun-Qwiic-RTC-Module

Design by: A. England

REV:  
v10

Date: 3/12/2018 2:12 PM

Sheet: 1/1