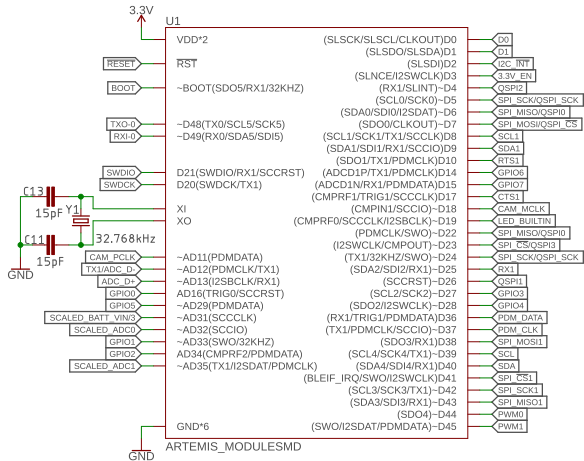
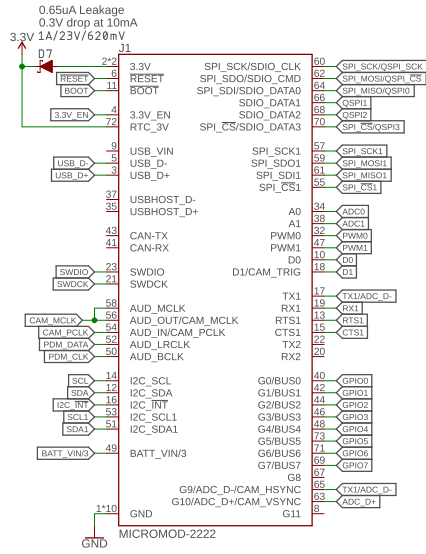


Artemis

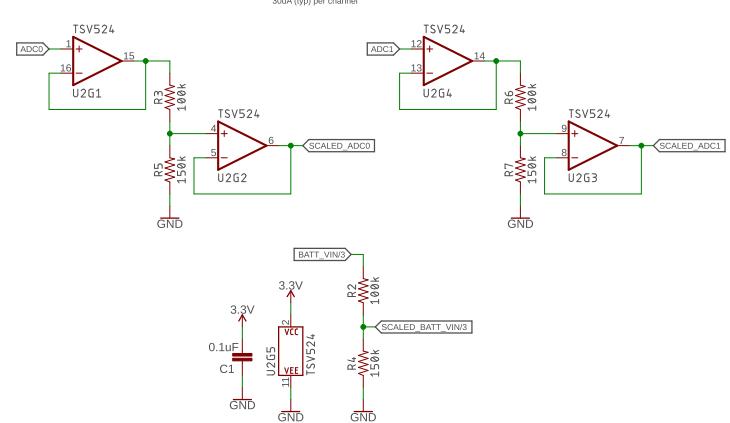


MicroMod Connector

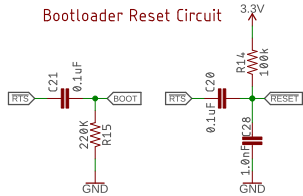


Vin: 1.755 - 3.63V

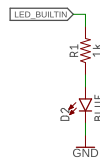
3.3V to 2V Scaling



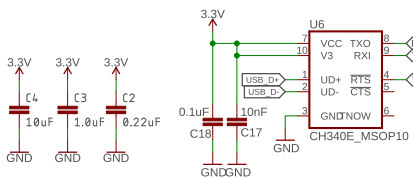
Bootloader Reset Circuit



Status LED



USB-to-Serial Converter



Released under the Creative Commons Attribution Share-Alike 4.0 License https://creativecommons.org/licenses/by-sa/4.0/	Special Instructions
TITLE: MicroMod-Artemis-ProcessorBoard	
Design by: N. Seidle	REV: v1.6
Date: 8/18/2020 3:24 PM	Sheet: 1/1