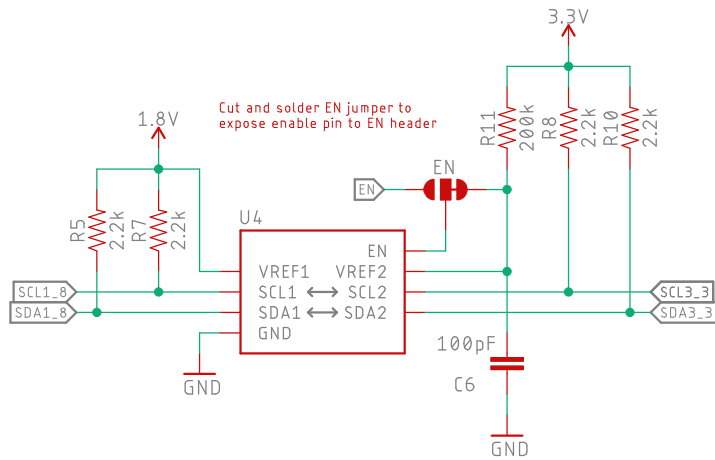
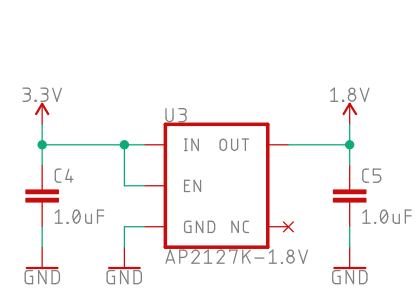


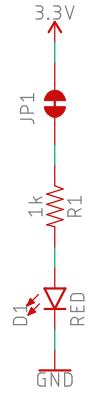
PCA9306 Level Translator



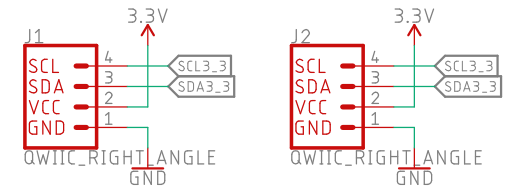
AP21xx LDO



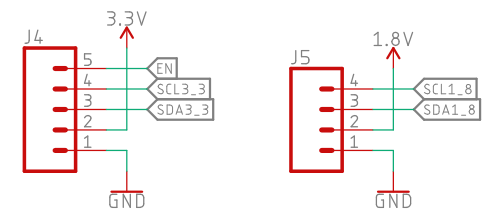
Power LED



Qwiic Connectors



0.1" Headers



Released under the Creative Commons Attribution Share-Alike 4.0 License
<https://creativecommons.org/licenses/by-sa/4.0/>

TITLE: Qwiic_1.8V_Adapter

Design by:

REV:

Date: 11/10/2021 3:06 PM

Sheet: 1/1