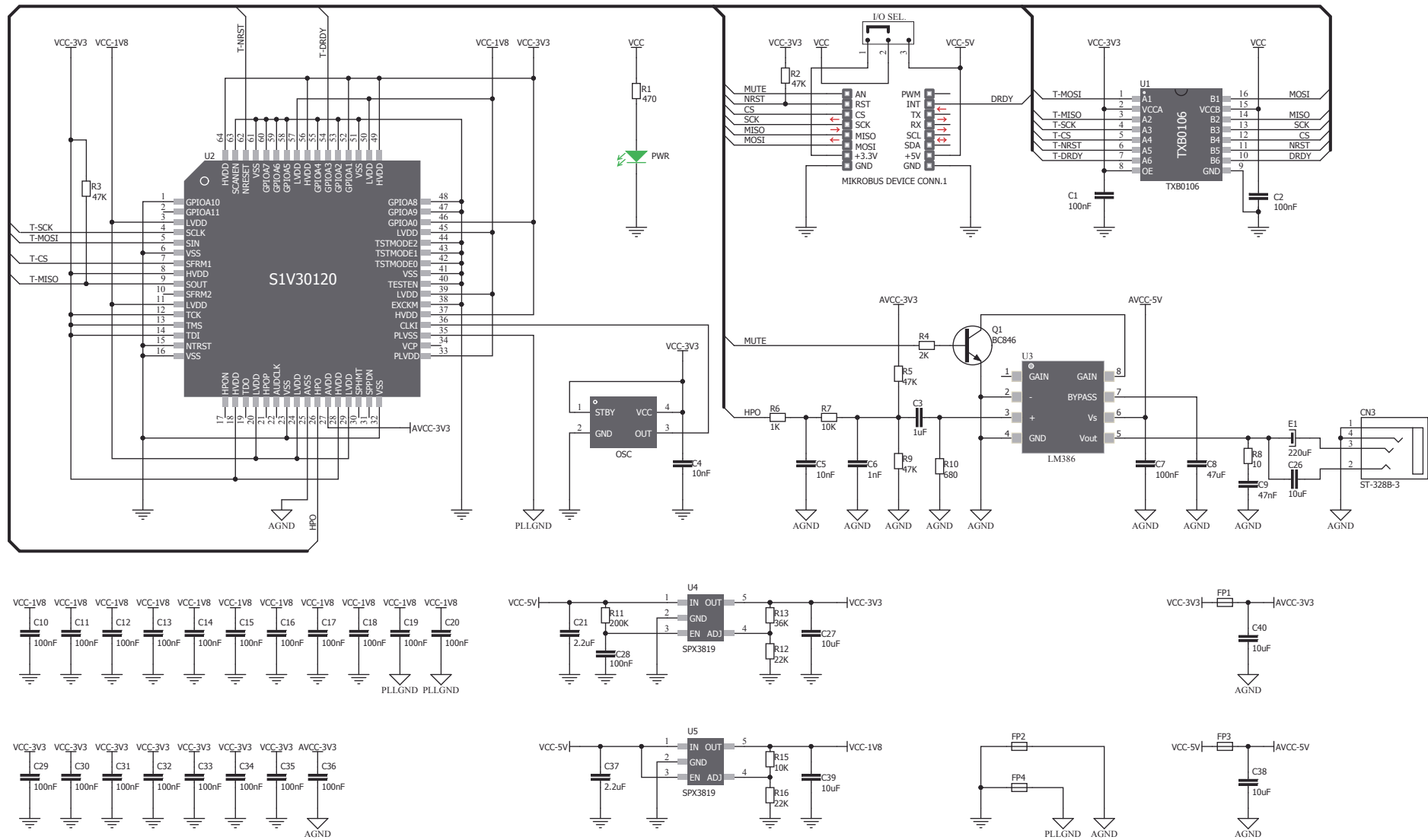


TextToSpeech click board™ Schematic



www.mikroe.com