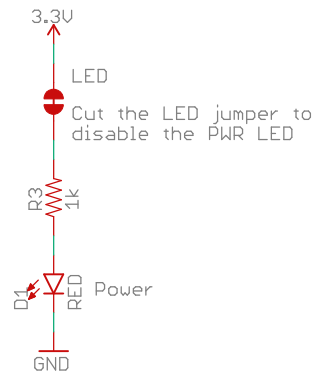
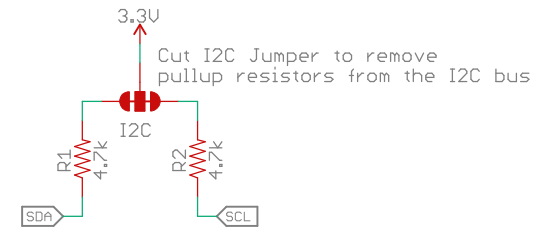


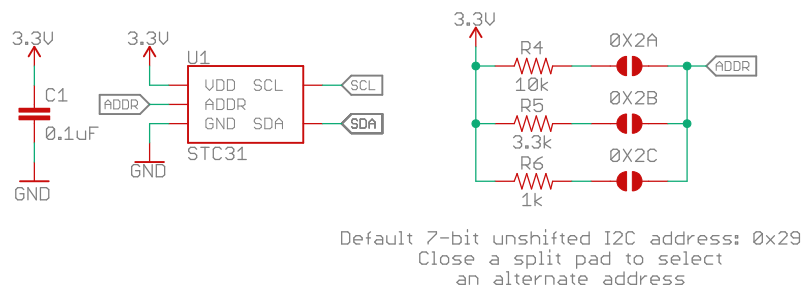
LED



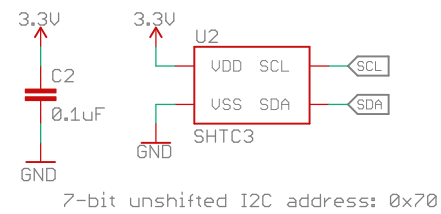
I2C Pull-Up



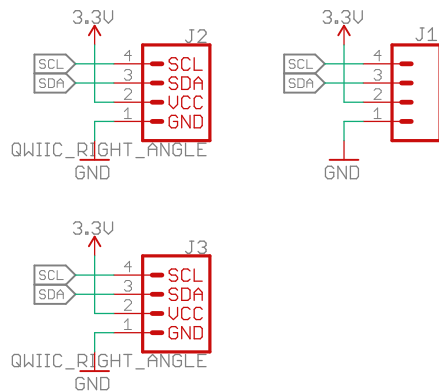
STC31



SHTC3



Connectors



Special Instructions

Released under the Creative Commons Attribution Share-Alike 4.0 License
<https://creativecommons.org/licenses/by-sa/4.0/>



TITLE: STC31 Breakout

Design by: Paul Clark

REV:
X01

Date: 10/06/2021 13:39

Sheet: 1/1