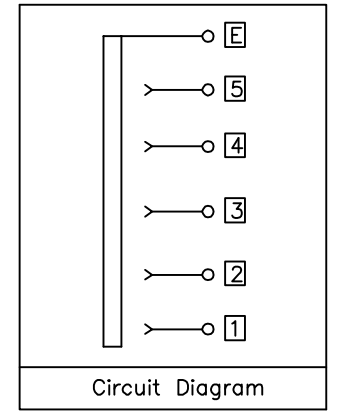
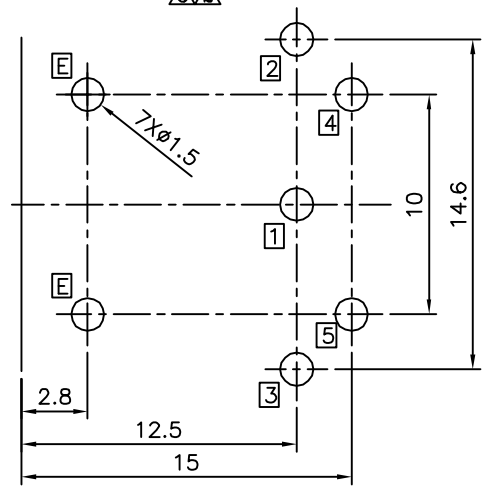
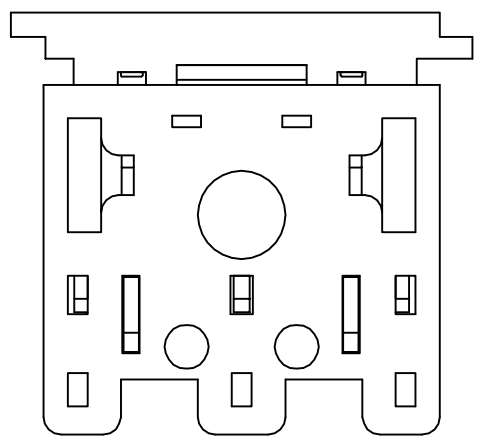


△ SPECIFICATION
 Rating:DC 50V 1.0A
 Contact Resistance: 30 Milliohms Max.
 After Test: 50 Milliohms Max.
 Insulation Resistance: 100 Megaohms Min.(500V DC)
 After Test: 50 Megaohms Min.
 Withstand Voltage: 500V AC
 Insertion And Extraction Force: 5~35N
 Life Test: 500 Cycles Min.
 Operation Temperature Range: -20°C~+70°C
 Preservative Temperature Range: -40°~+85°C
 RoHS Compliant



Recommended P.C.B. Layout (Top View)
 Unspecified Tolerance: ±0.05

④	Contact Terminal	1 2 3 4 5	5	Brass	Silver Plated
③	Ground Contact	E	1	Phosphor Bronze	Silver Plated
②	Cover		1	PBT	Black
①	Housing		1	PBT	Black
No.	Description	Q'ty	Material	Remark	

4UCON 元化興業股份有限公司
 4UCON TECHNOLOGY INC.

DRAWING No.		APPROVED BY	
05138		EMILY	
		CHECKED BY	
		HZF	
		DRAWING BY	
		SONG	
SCALE	NONE	REV.	A3

UNLESS OTHERWISE SPECIFIED TOLERANCES ARE
 X. ±0.3
 .X ±0.3
 ANG. ±2°

△ A3	Modify Data	HZF	04/23/2012	
△ A2	Modify Data	HZF	08/08/2011	
△ A1	Modify Data	BECKY	08/03/2006	
△ A0	NEW RELEASE	BECKY	08/09/2005	
NO.	REV.	REVISIONS	CHK	DATE