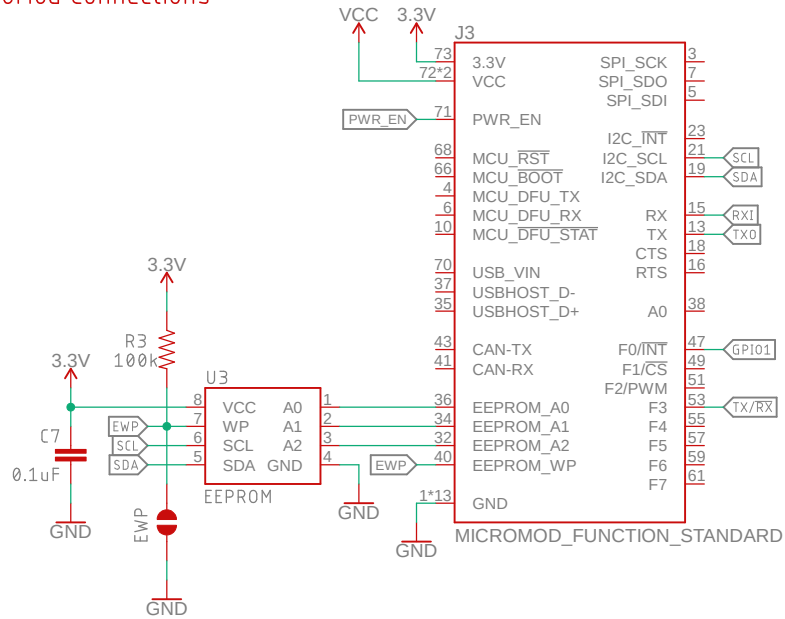
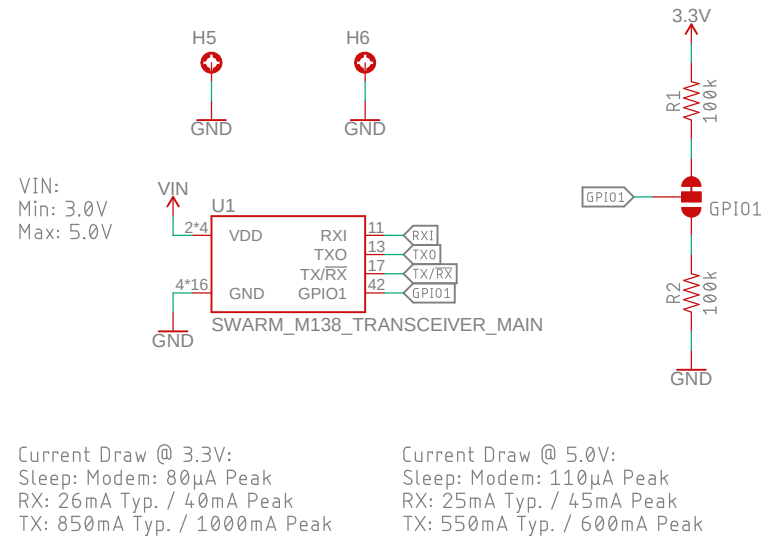


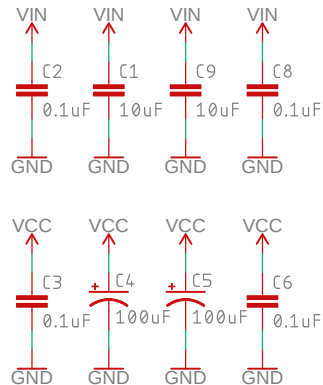
MicroMod Connections



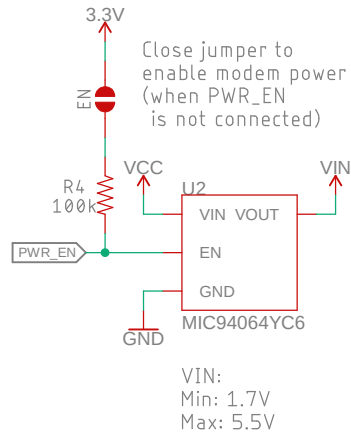
Swarm M138



Power Decoupling



Power Switch



Special Instructions

Released under the Creative Commons Attribution Share-Alike 4.0 License
<https://creativecommons.org/licenses/by-sa/4.0/>

TITLE: Satellite_Transceiver_Function_Board__Swarm_M138

Design by: Paul Clark

REV: x04

Date: 22/07/2022 11:55

Sheet: 1/1