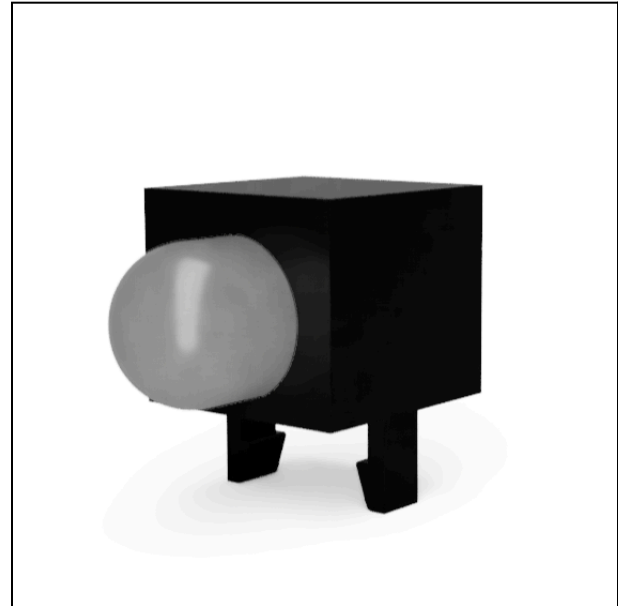


Features

- Installs ovetop of surface mounted LEDs to adapt them for board edge applications
- Polycarbonate light pipe and lens imitates the style and function of traditional 5mm LEDs
- Nylon body prevents light leak and installs without additional hardware or adhesives
- Accommodates SMD packages up to 5mm x 4.3mm x 1mm including many popular package types such as 0603, 0805, APA102-2020, and WS2812-2020



Applications

- Indicators in consumer and commercial electronics
- Replace traditional 5mm LED indicators in designs that require the features of modern, addressable LEDs

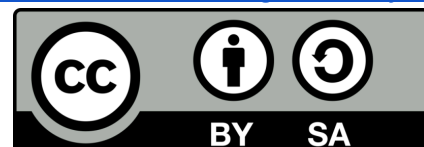
Description

The SMD LED Light Pipe is designed to replace traditional right-angle 5mm LED mounting solutions while offering design flexibility by accommodating any of several SMD packages. In recent years, a number of high-brightness, addressable, and multi-color LED technologies have become commonplace in new designs. However, traditional board-edge style indicators are often still limited to single or bi-color LEDs. The light pipe allows for these modern LED technologies to be used in a way that's indistinguishable from

the traditional 5mm packaging and can be used to add functionality to designs with mechanical constraints, such as pre-existing panels and enclosures.

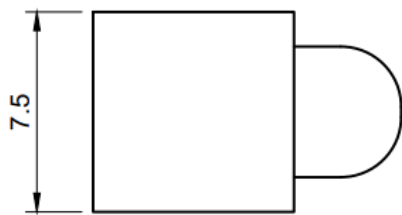
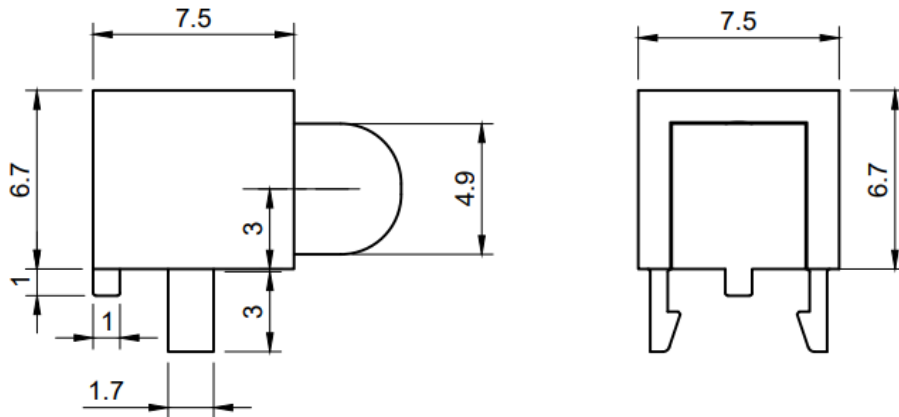
Light pipes are designed to be installed after reflow soldering and snap in place on 1.6mm thick PCBs using integrated clips, requiring no additional hardware or bonding. They can be placed side-by-side and are designed to match the style and dimensions of many existing indicator mounts. The Polycarbonate lens provides high light transmission over a wide viewing angle. Multiple small LEDs can be mounted under the same light pipe for color mixing effects.

This work is licensed under CC BY-SA 4.0
To view a copy of this license, visit
<https://creativecommons.org/licenses/by-sa/4.0/>

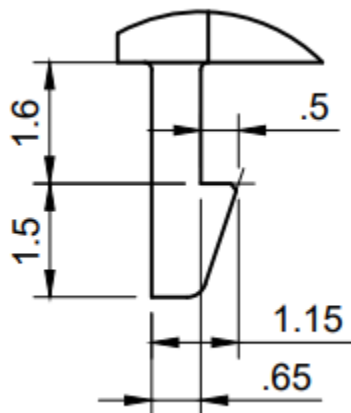


Mechanical Data

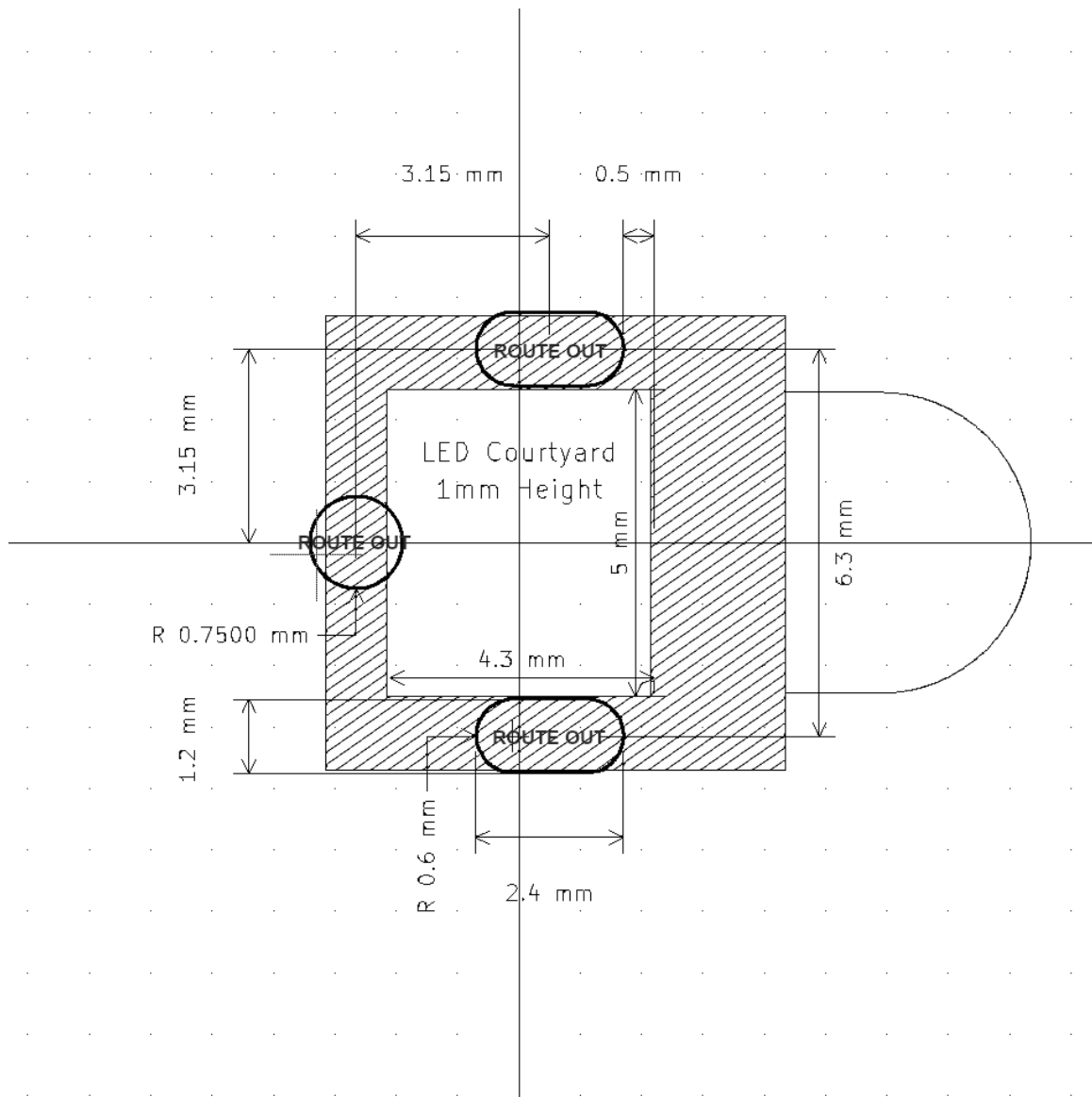
Assembly Dimensions



Retention Clip Dimensions



Suggested Land Pattern



Source and CAD Files

Available at

https://github.com/sparkfun/SparkFun_SMD_LED_Light_Pipe

Technical and Customer Support

On our website

<https://www.sparkfun.com/support>

On our forum

<https://community.sparkfun.com/>