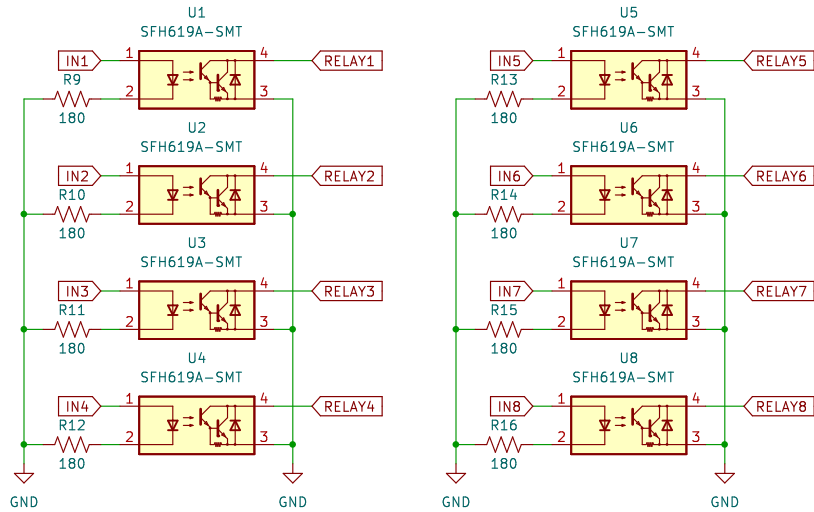
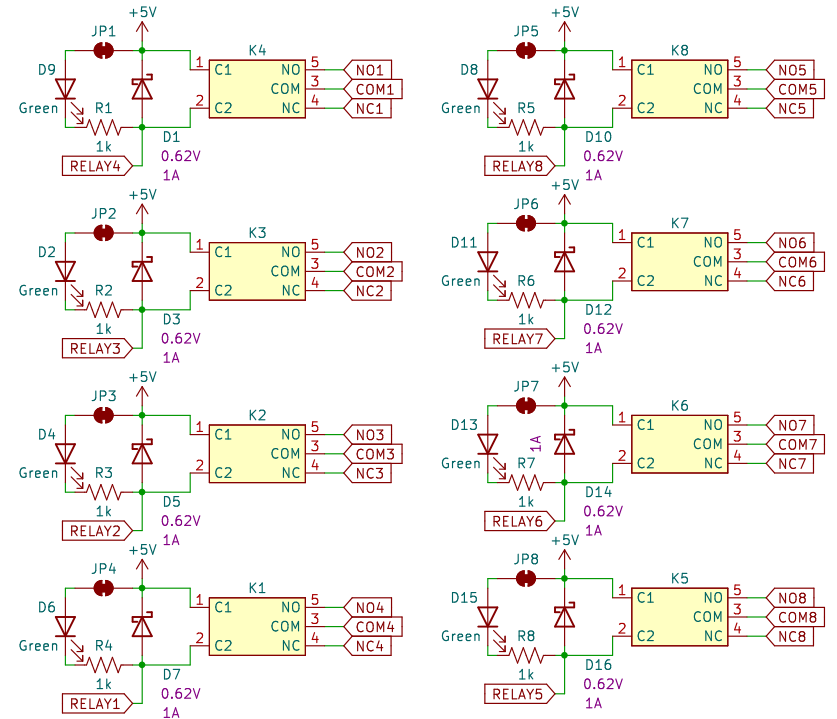


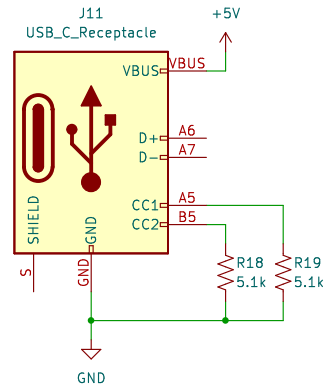
### Darlington Output Photocouplers



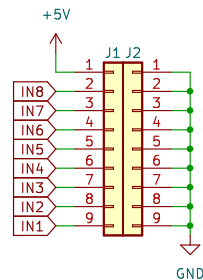
### Relays



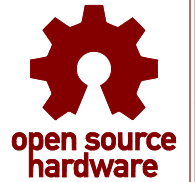
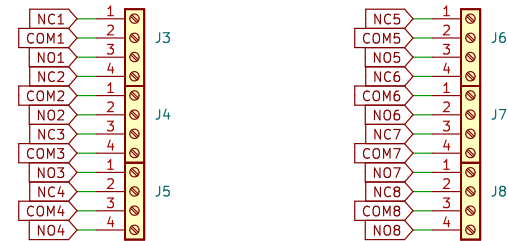
### USB Power Connector



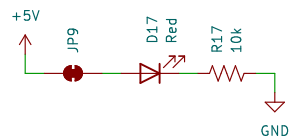
### Input Headers



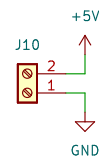
### Output Terminals



### Power LED



### 5VDC Input Header



Designed by: Nick P



Ordering Instructions

Sheet: /  
File: 8\_Relay\_Board.kicad\_sch

**Title: 8 Relay Control Board**

Size: USLetter Date: 2023-07-28  
KiCad E.D.A. eeschema 7.0.6

Rev: x10  
Id: 1/1