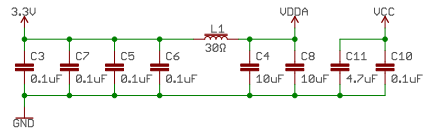
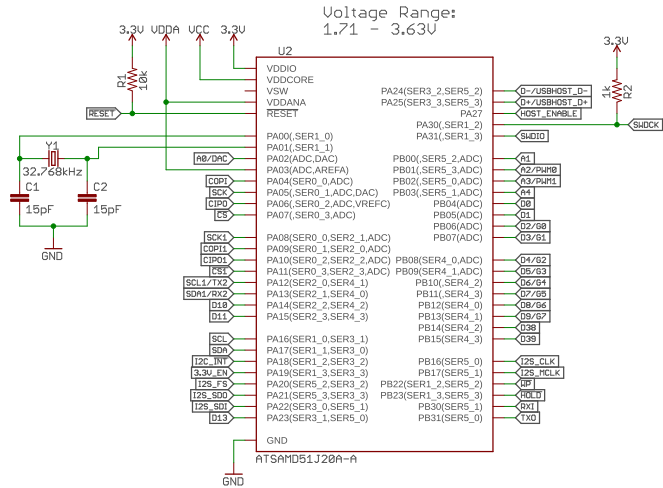
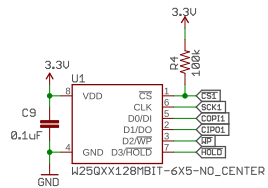


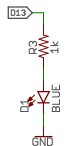
Microcontroller - SAMD51



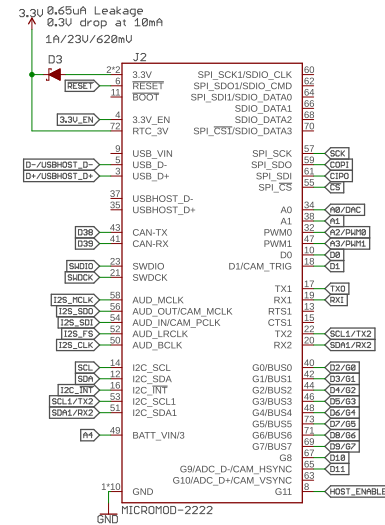
Flash Memory - 128Mb



Stat LED



M.2 Connector



Released under the Creative Commons Attribution Share-Alike 4.0 License https://creativecommons.org/licenses/by-sa/4.0/		Special Instructions
TITLE: MicroMod_SAMD51		
Design by: Elias Santistevan		REV: v13
Date: 4/12/2022 10:28 AM	Sheet: 1/1	