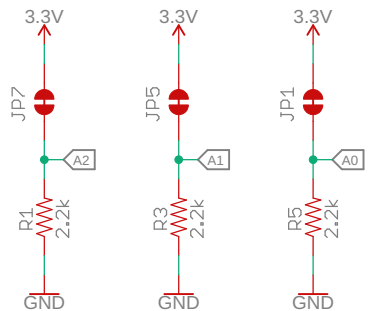


open hardware



Address Bit Selection

Default address: 0x27  
When no jumpers are cut



A2	A1	A0	Address
0	0	0	0x20
0	0	1	0x21
0	1	0	0x22
0	1	1	0x23
1	0	0	0x24
1	0	1	0x25
1	1	0	0x26
1	1	1	0x27

Released under the Creative Commons Attribution Share-Alike 4.0 License  
<https://creativecommons.org/licenses/by-sa/4.0/>

TITLE: Qwiic\_GPIO

Design by: Kevin Kuwata

REV: X03

Date: 3/25/20 9:30 AM

Sheet: 1/1