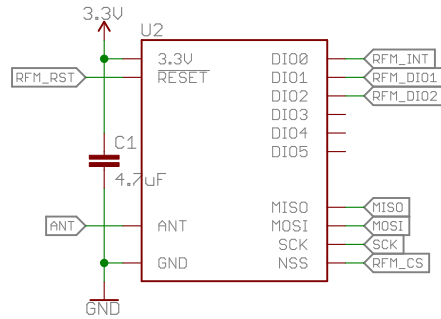
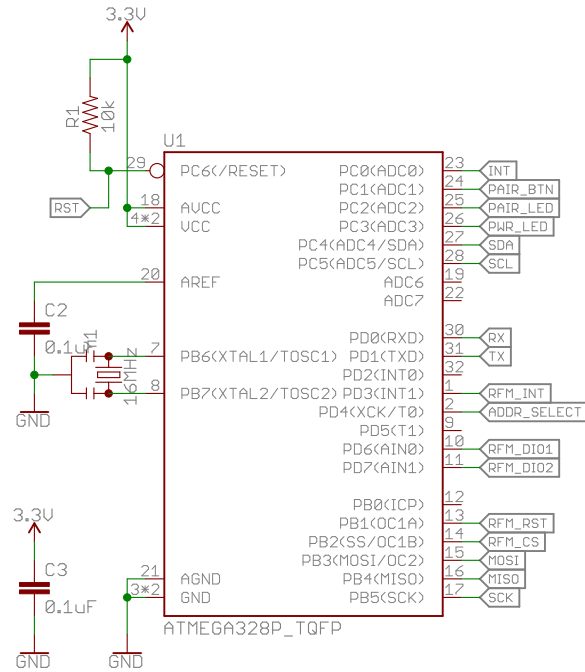


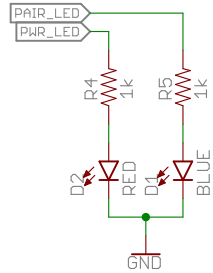
I²C Pullup Resistors



RFM95W-915S2



ATmega328

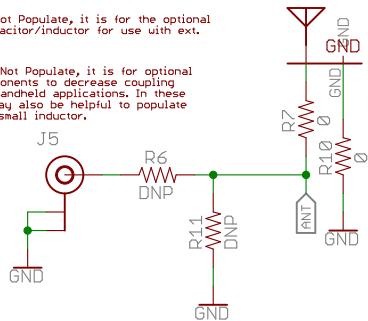


Power and Status LEDs

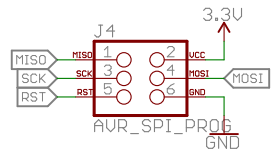
R7 and R10 are 00hm links to jump the vscore between the antenna and the board

R6 is Do Not Populate, it is for the optional jumper/capacitor/inductor for use with ext. antenna

R11 is Do Not Populate, it is for optional shunt components to decrease coupling effect in handheld applications. In these cases it may also be helpful to populate R7 with a small inductor.



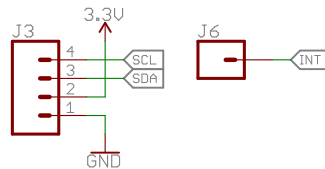
Antenna / U.F.L Select



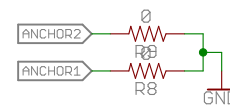
AVR ISP Header



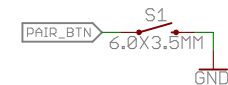
Serial Debug Test Points



I²C Header



V-Score Anchors



Pairing Button

Released under the Creative Commons Attribution Share-Alike 4.0 License
<https://creativecommons.org/licenses/by-sa/4.0/>

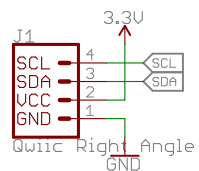
TITLE: Qwiic_LoRa ○○○○

Design by:

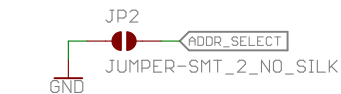
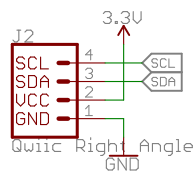
REV:

Date: 5/30/2018 2:04 PM

Sheet: 1/1



Qwiic Connectors



Address Select Jumper