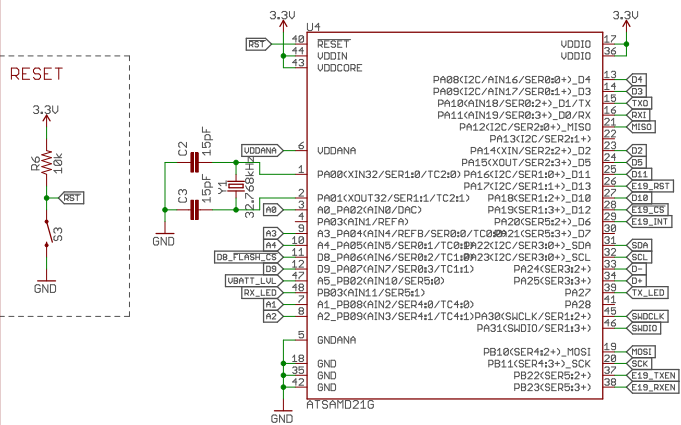
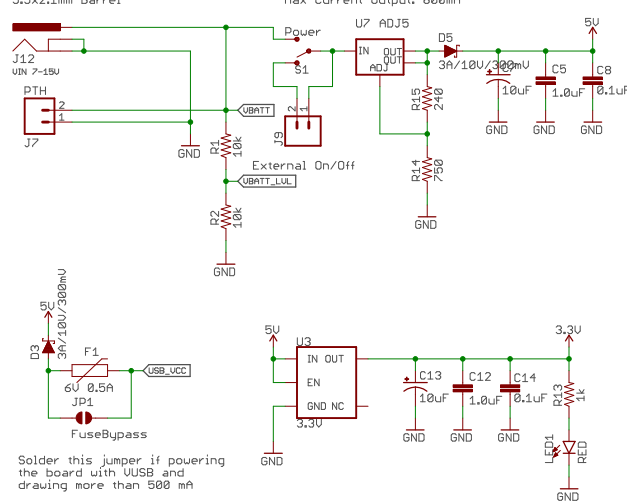


SAMD21G

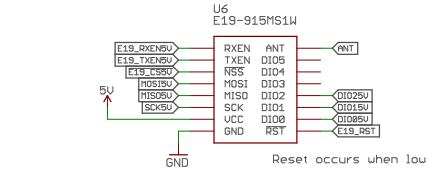
RESET



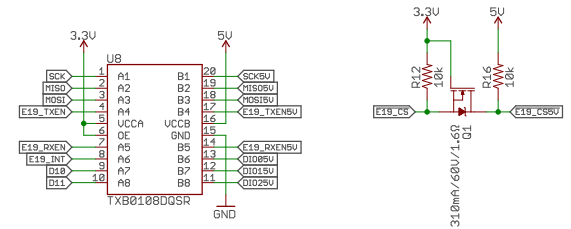
POWER



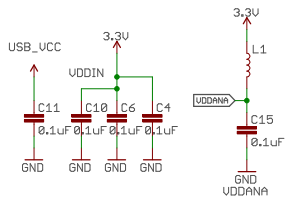
E19-915MS1W



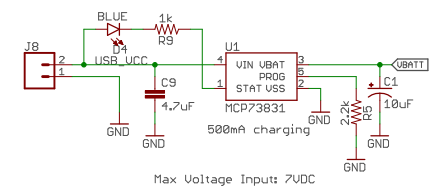
Level Shifters



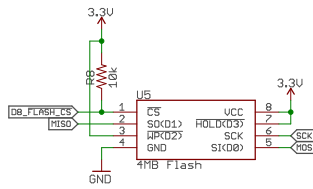
Decoupling



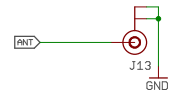
LIPO CHARGER



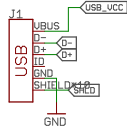
FLASH MEMORY



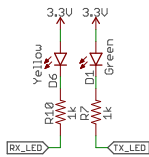
Antenna



USB



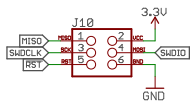
RX/TX LEDs



HEADERS/QWICC



PROGRAMMING HEADER



Released under the Creative Commons Attribution Share-Alike 4.0 License  
<https://creativecommons.org/licenses/by-sa/4.0/>

TITLE: SAMD21\_Pro\_RF\_1W

Design by: Elias Santistevan, Owen Lyke

Date: 9/20/2018 2:46 PM

REV: x01

Sheet: 1/1