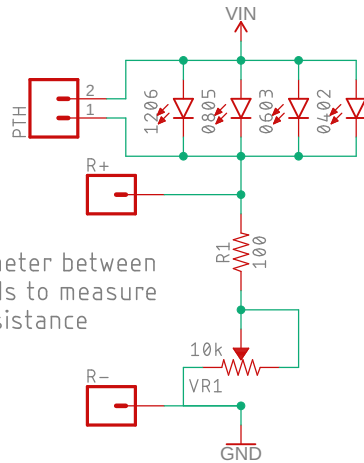


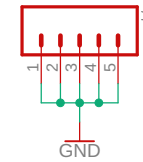
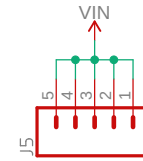
LED Circuit

Only solder one LED per board!
Several footprints are available
for different size LEDs



Connect multimeter between
R+ and R- pads to measure
exact resistance

Connectors



open hardware



Released under the Creative Commons
Attribution Share-Alike 4.0 License
<https://creativecommons.org/licenses/by-sa/4.0/>

TITLE: LED_Brightness_Adjuster

Design by: Dryw Wade

REV:
v10

Date: 9/29/2022 16:06

Sheet: 1/1