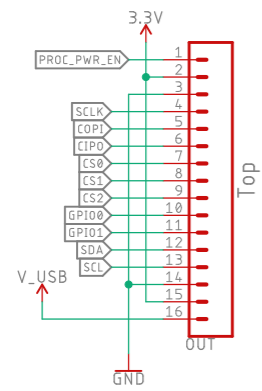
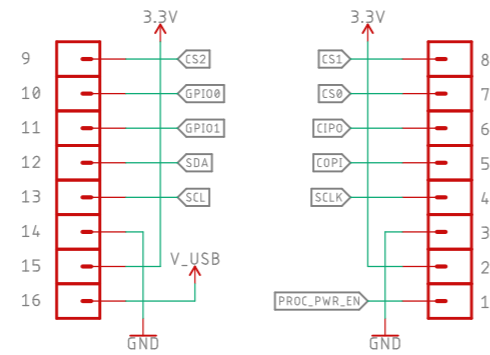


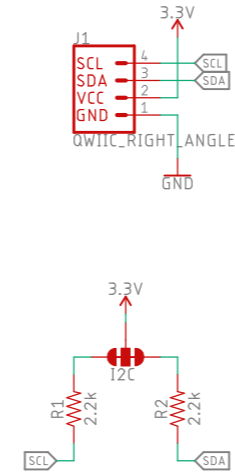
smôl Connector



Header



Qwiic




smôl

QWIIC

open hardware

SPARK X

Released under the Creative Commons Attribution Share-Alike 4.0 License https://creativecommons.org/licenses/by-sa/4.0/		Special Instructions 
TITLE: SparkX_smol_Header		REV: X02
Design by: Paul Clark		Date: 20/08/2021 13:34
Sheet: 1/1		