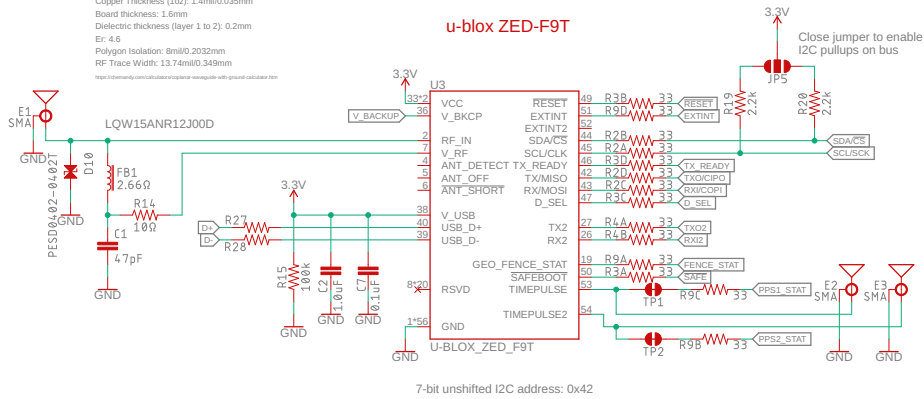
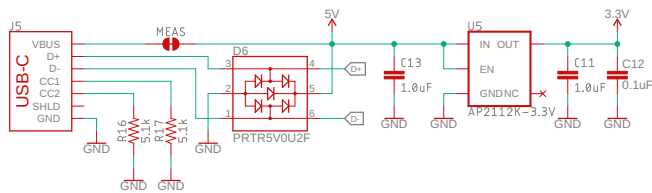


Coplanar Waveguide Calculation:  
 Copper Thickness (Top): 1.4mil@0.035mm  
 Board thickness: 1.6mm  
 Dielectric thickness (layer 1 to 2): 0.2mm  
 Er: 4.6  
 Polygon Isolation: 0mil@0.2052mm  
 RF Trace Width: 13.74mil@0.3495mm  
 https://resources.pcb.com/pub/resources/coplanar-waveguide-with-ground-calculator.htm

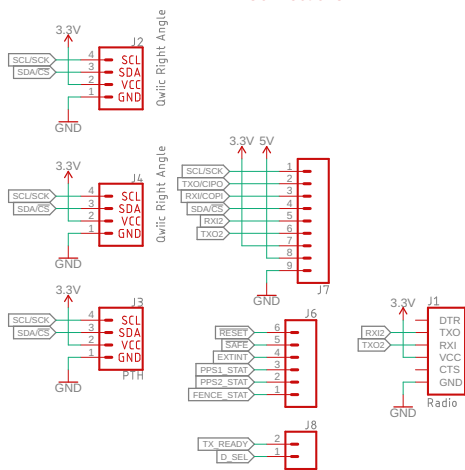
### u-blox ZED-F9T



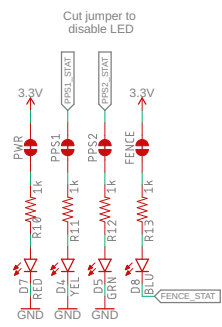
### USB and 3.3V Regulation



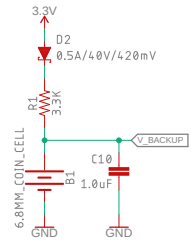
### Connections



### Stat LEDs



### RTC Backup



Released under the Creative Commons Attribution Share-Alike 4.0 License  
<https://creativecommons.org/licenses/by-sa/4.0/>

TITLE: SparkFun\_GNSS\_Timing-ZED-F9T

Design by: N. Seidle REV: v10

Date: 11/15/2021 12:40 PM Sheet: 1/1