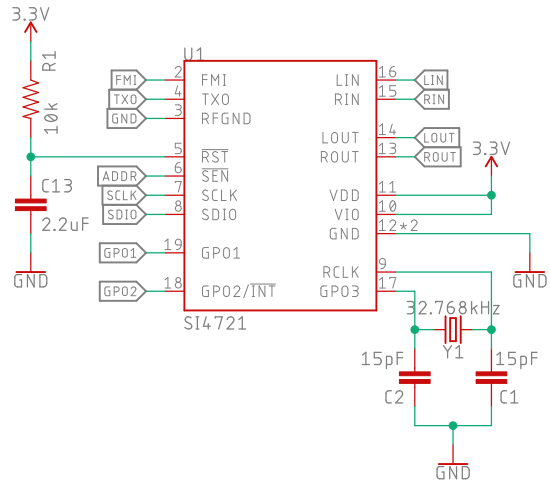
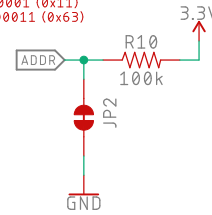


RST needs to come up after VDD to boot into I2C mode.
 2.2uF is chosen because we have it in stock.
 Should provide about 20ms from power applied to RST > 0.7*VDD



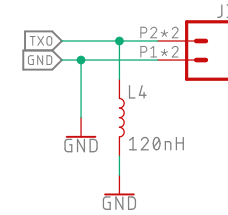
Si4721 FM Transceiver Module

address is determined by SEN
 LOW addr = 0010001 (0x11)
 HIGH addr = 1100011 (0x63)

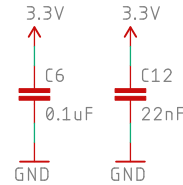


Address Select Jumper

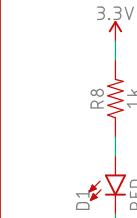
TODO: Note about antenna length/material



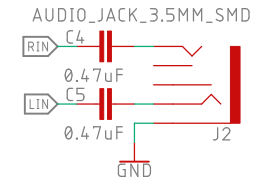
RxTx Antenna Connector



Filter Caps

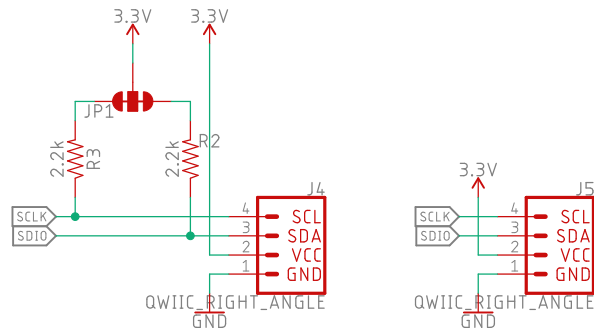


Power LED

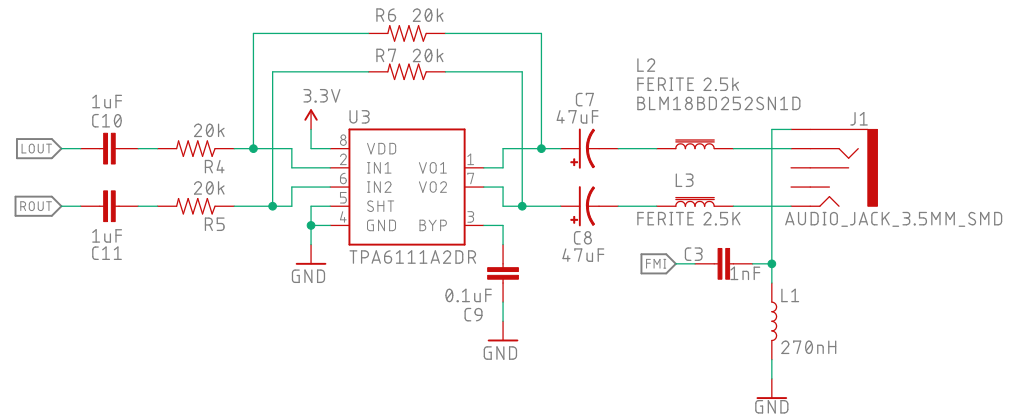


Line Level Audio Input Jack

JUMPER-SMT_3_2-NC_TRACE_SILK



Qwiic Connector



TPA6111 Headphone Amplifier and Audio Out

Released under the Creative Commons Attribution Share-Alike 4.0 License
<https://creativecommons.org/licenses/by-sa/4.0/>



TITLE: Qwiic_FM_Transceiver_Si4721

Design by:

REV:

Date: 12/10/2019 6:15 PM

Sheet: 1/1