

- Ground
- Power
- LED
- Internal Pin
- SWD Pin
- Digital Pin
- Analog Pin
- Other Pin
- Microcontroller's Port
- Default

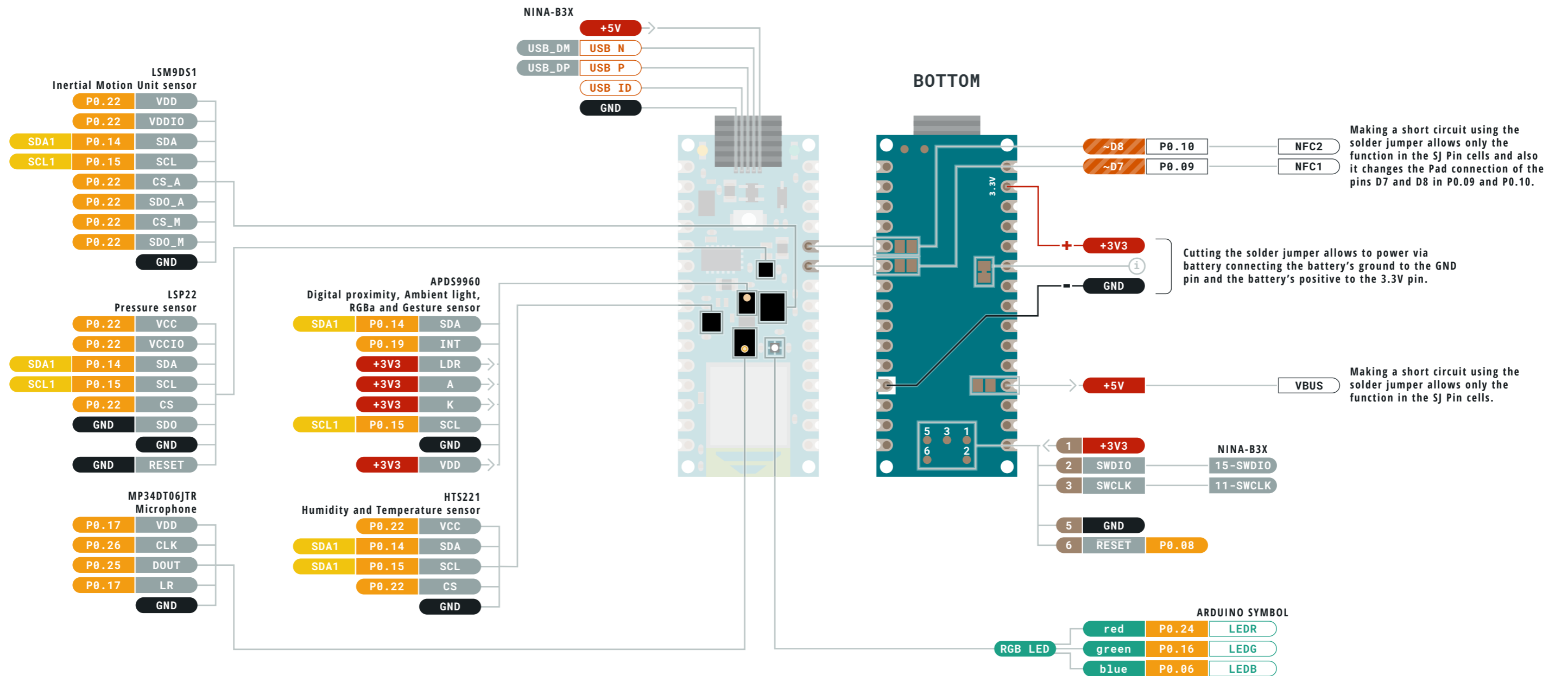
! **MAXIMUM** output current per pin is 15mA

! **MAXIMUM** input current per pin is 5mA

! **MAXIMUM** external current is 25mA for the sum of all GPIO currents and the current being drawn from VDD

VIN 5-21 V input to the board.





- Ground
- Power
- LED
- Internal Pin
- SWD Pin
- Digital Pin
- Analog Pin
- Other Pin
- Microcontroller's Port
- Default
- SJ Pin
Making a short circuit using the solder jumper allows only the function in the SJ Pin cells.

- MAXIMUM** output current per pin is 15mA
- MAXIMUM** input current per pin is 5mA
- MAXIMUM** external current is 25mA for the sum of all GPIO currents and the current being drawn from VDD

VIN 5-21 V input to the board.



This work is licensed under the Creative Commons Attribution-ShareAlike 4.0 International License. To view a copy of this license, visit <http://creativecommons.org/licenses/by-sa/4.0/> or send a letter to Creative Commons, PO Box 1866, Mountain View, CA 94042, USA.