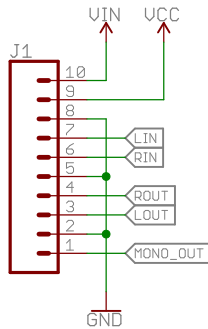
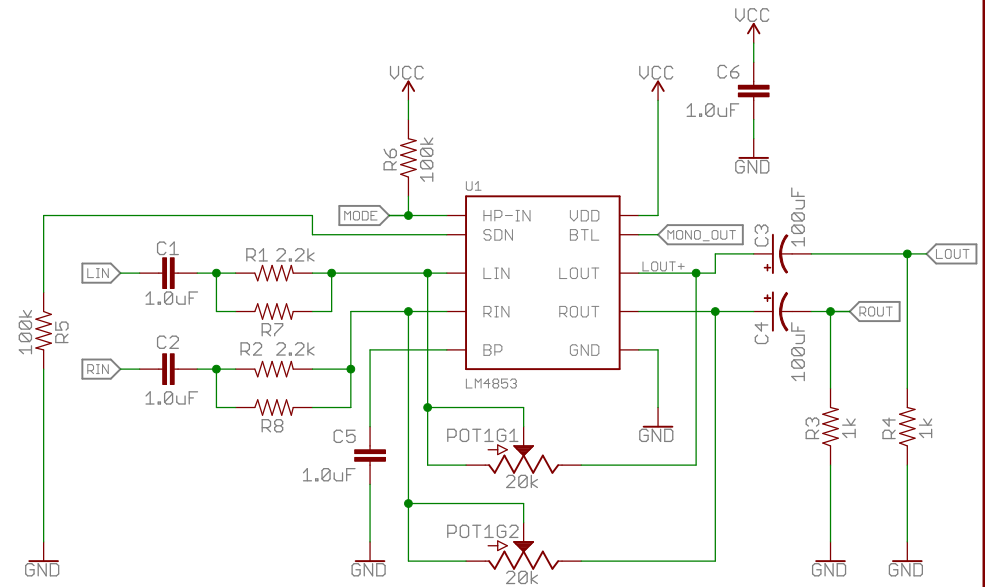


Header

VIN: 2.4 - 5.5V



Audio Amplifier



Pot Switch

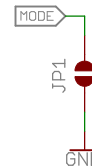


Switch Current: 3A MAX

Jumper

- JP1 Note:
- Open (Default): Stereo Output (Outputs: Left, Right, GND)
 - Closed: Mono Output (Outputs: Left, Mono)

In mono mode, connect speaker to Left and Mono, NOT ground!



JP2 Note:

- Jumper should be open when in stereo operation.
- In mono operation, JP2 can be either opened or closed.
- When closed, JP2 shorts C3, which will allow lower frequencies to pass more easily.



sparkfun



Released under the Creative Commons Attribution Share-Alike 4.0 License
<https://creativecommons.org/licenses/by-sa/4.0/>



TITLE: SparkFun_Noisy_Cricket

Design by: Alex Wende

REV:
v10

Date: 4/17/2018 2:16 PM

Sheet: 1/1