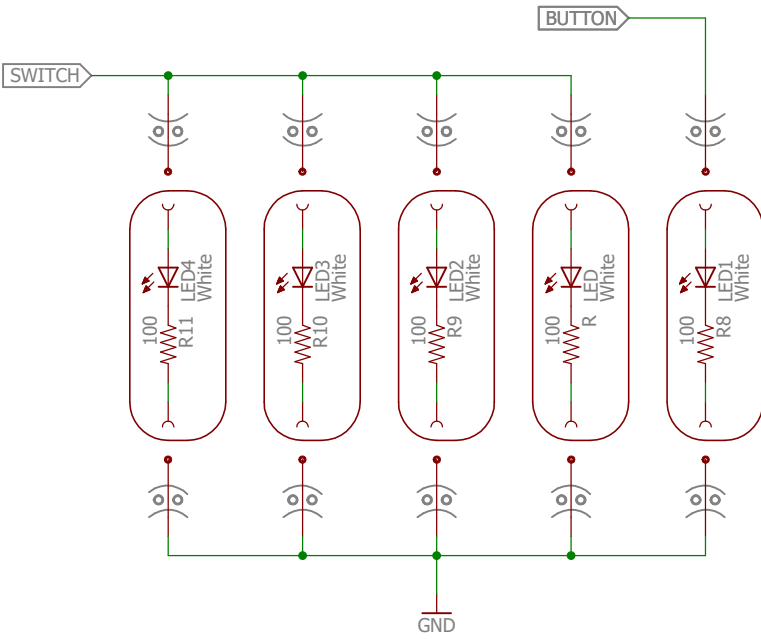
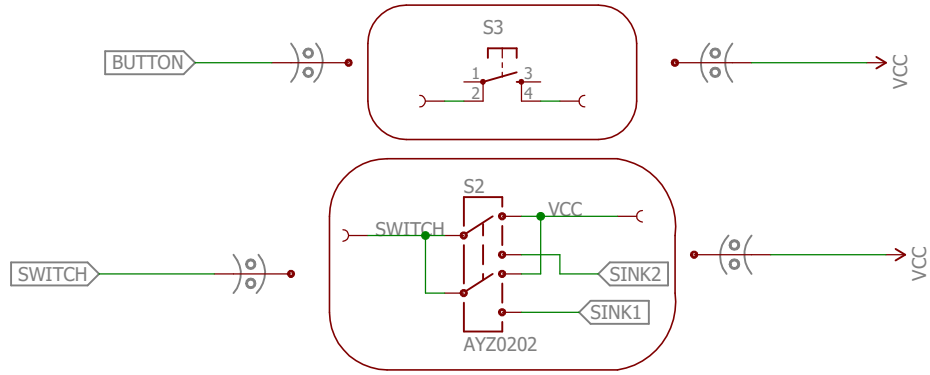
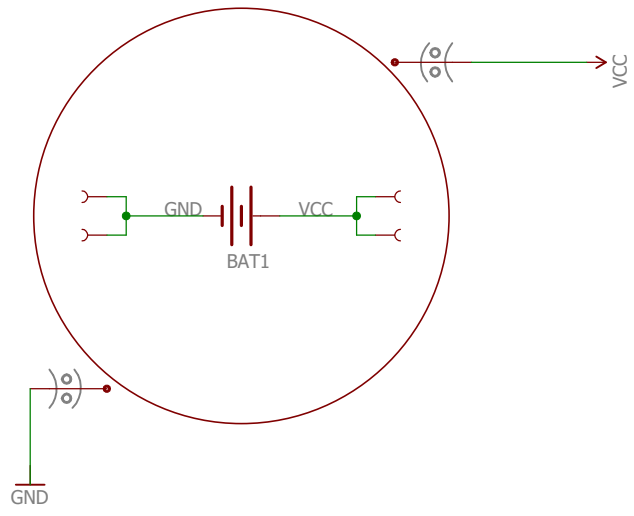


Changes to V13
 Rotated LilyPad silk
 Added OSHW and SFE flame



Released under the Creative Commons Attribution Share-Alike 3.0 License http://creativecommons.org/licenses/by-sa/3.0		SFE
TITLE: LilyPad_E-Sewing_ProtoSnap		
Design by:	L. Buechley, N.Seidle, P. Lewis T. Klopfenstein	REV: v13
Date: 5/13/2013 2:33 PM	Sheet: 1/1	