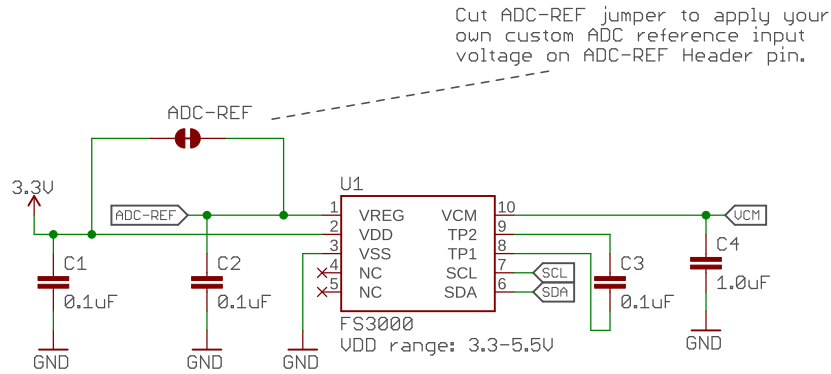


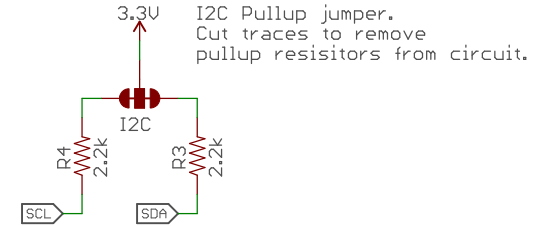
FS3000 Air Velocity Sensor Module

UCC RANGE: 3.3V (QWIIC)

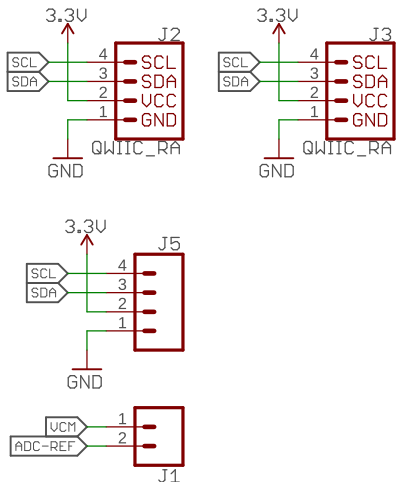


7-Bit I2C Address: 0x28

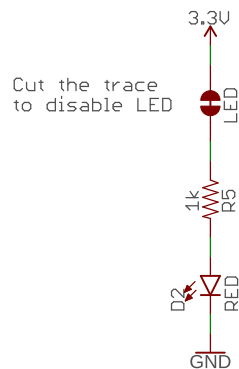
I2C Pullups



Qwiic/I2C Connectors



Power LED



Released under the Creative Commons Attribution Share-Alike 4.0 License
<https://creativecommons.org/licenses/by-sa/4.0/>



TITLE: SparkFun_Qwiic_FS3000_1X1

Design by: Pete Lewis

REV: v01

Date: 8/6/2021 1:03 PM

Sheet: 1/1