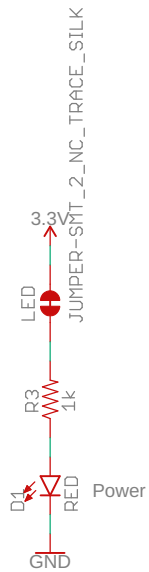
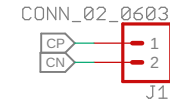
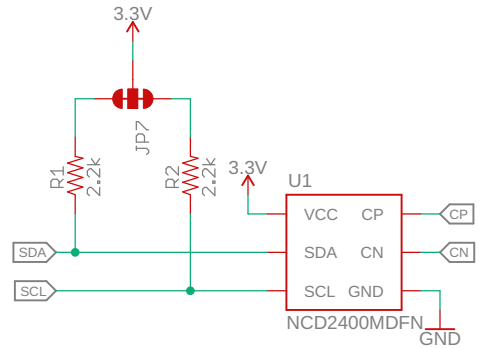


Power LED

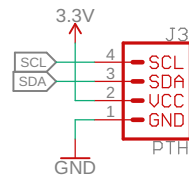
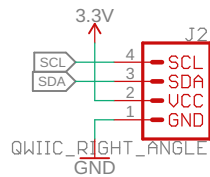


Digital Capacitor



I2C Address for NCD2400M: 0x60
 I2C Address for NCD2400M1: 0x61

Connectors



Released under the Creative Commons Attribution Share-Alike 4.0 License https://creativecommons.org/licenses/by-sa/4.0/		Special Instructions
TITLE: Qwiic_I2C_Capacitor		
Design by: Priyanka Makin		REV: x02
Date: 10/7/20 10:10 AM	Sheet: 1/1	