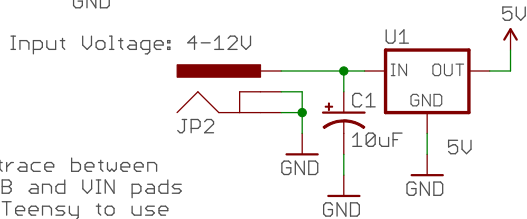
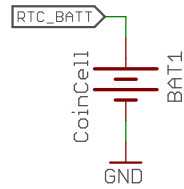


Power Connections

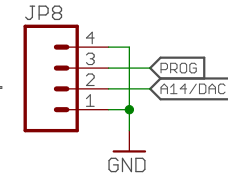


Cut trace between VUSB and VIN pads on Teensy to use external power supply.



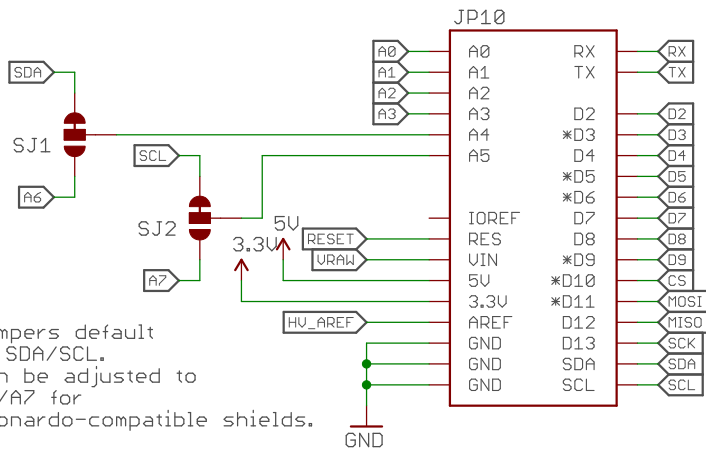
RTC Battery

Add 32.768kHz crystal to Teensy for use of RTC.



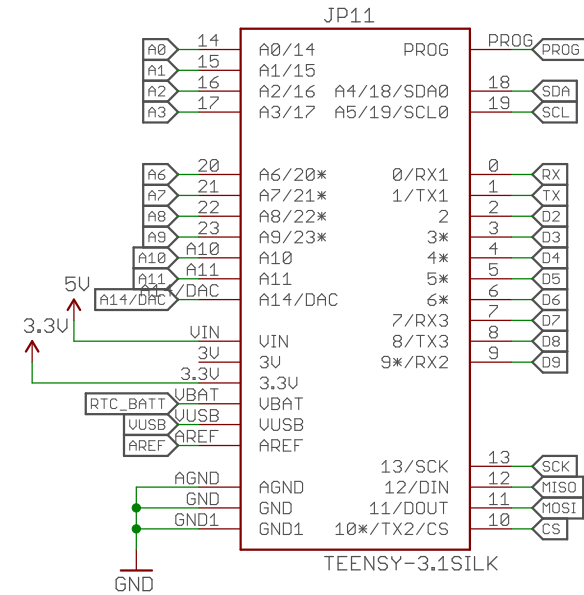
ADC/PROG

Arduino Footprint Connections



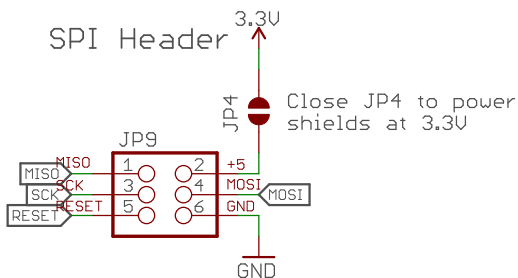
Jumpers default to SDA/SCL. Can be adjusted to A6/A7 for Leonardo-compatible shields.

Teensy 3.1 Connectors

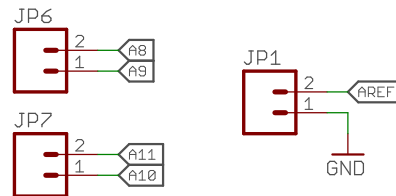


TEENSY-3.1SILK

SPI Header



Analog Breakouts



Released under the Creative Commons Attribution Share-Alike 4.0 License <https://creativecommons.org/licenses/by-sa/4.0/>

TITLE: SparkFun_Teensy_Adapter

Design by: Toni Klopfenstein

REV: v11

Date: 11/14/2019 8:30 PM

Sheet: 1/1