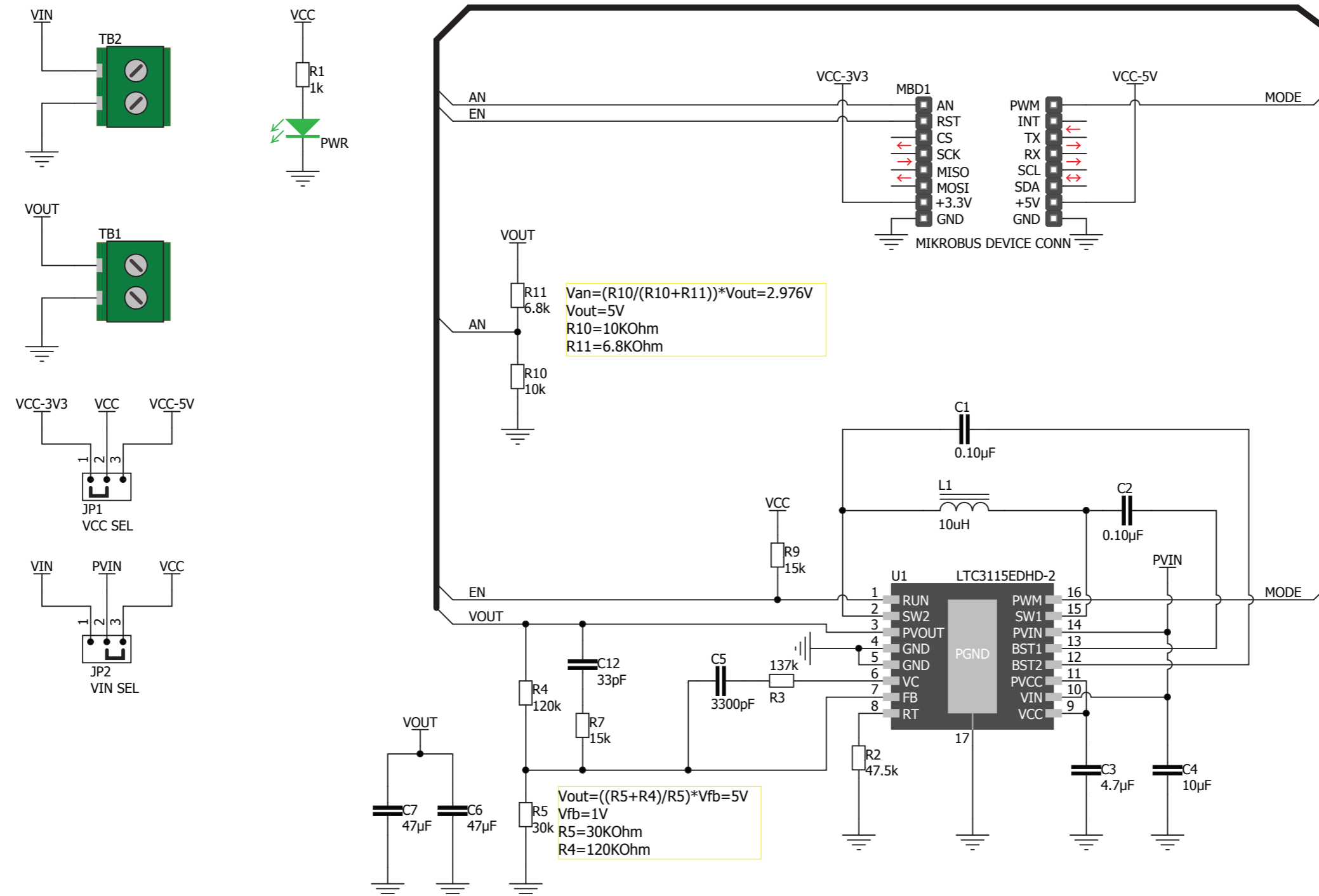


Buck-Boost 2 click schematic v100



www.mikroe.com