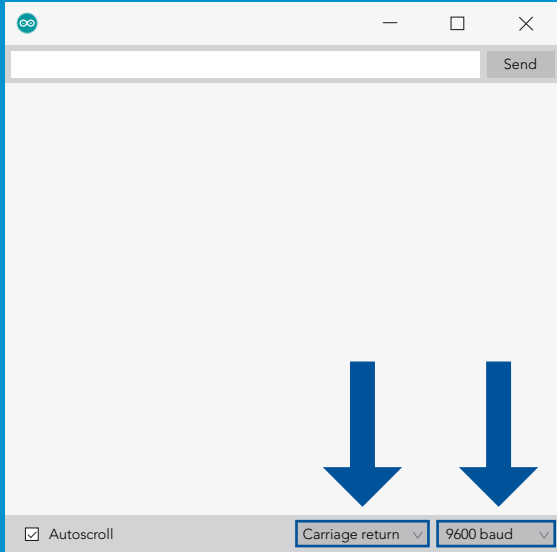
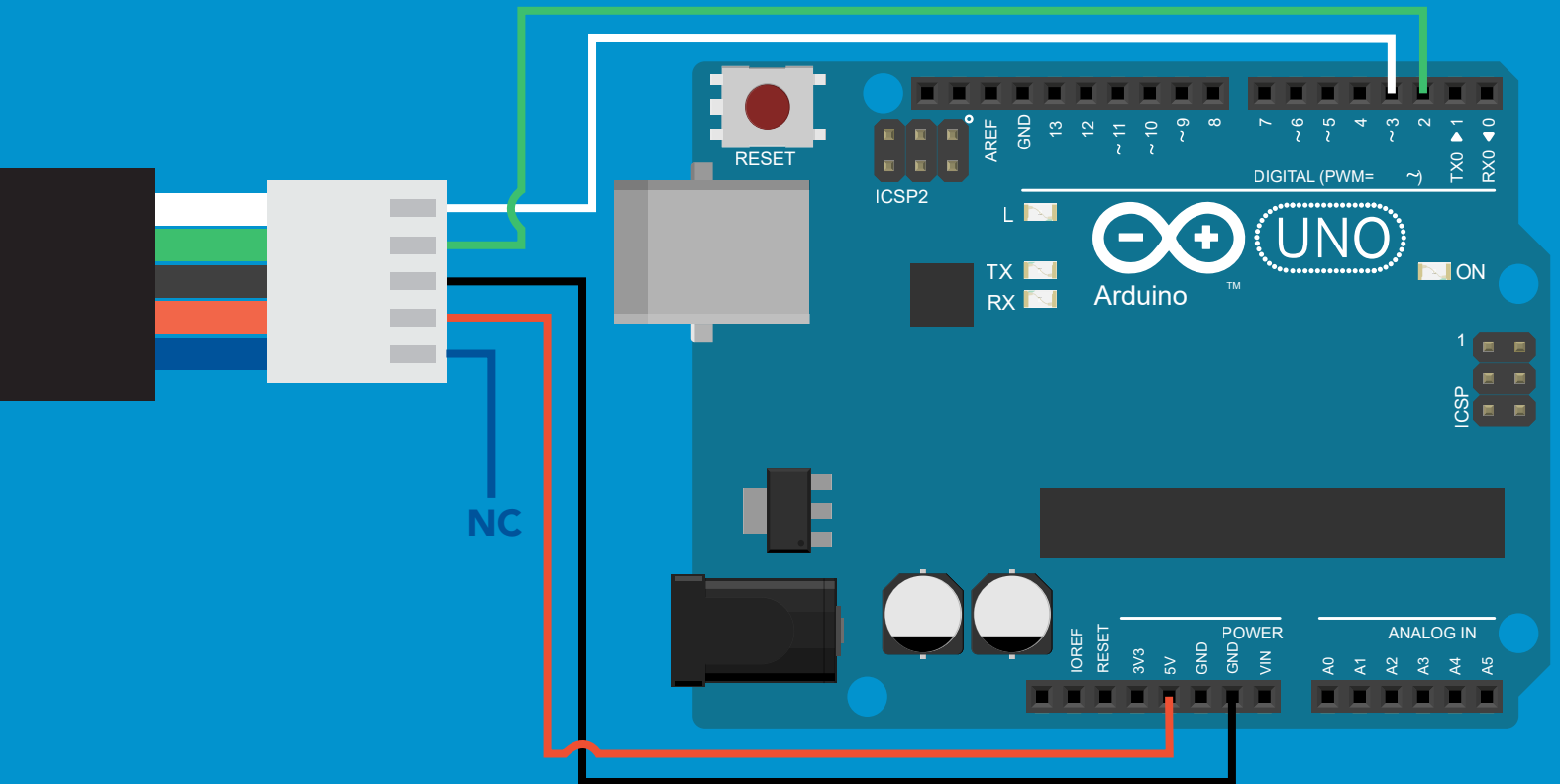


Arduino Uno
EZO-PMPTM Sample Code
Revised 5/10/17



After flashing the Arduino with the code below, open the serial monitor and set it to append **carriage return** only and then set the baud rate to **9600**.



[Click here to download the sample code](#)