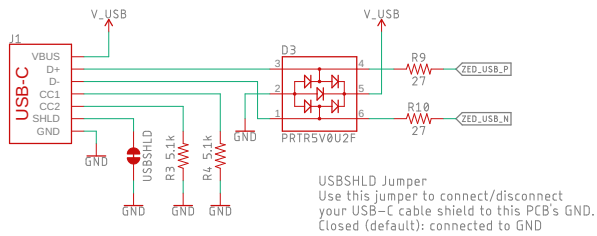
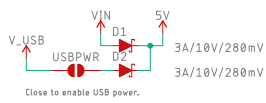


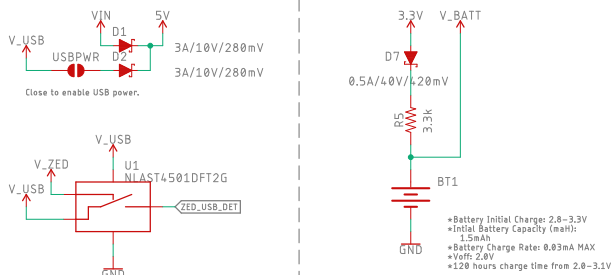
ZED-F9P USB (u-center)



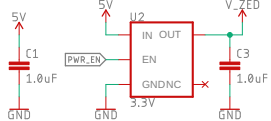
Power Selection



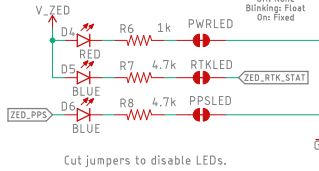
ZED-F9P Backup Battery



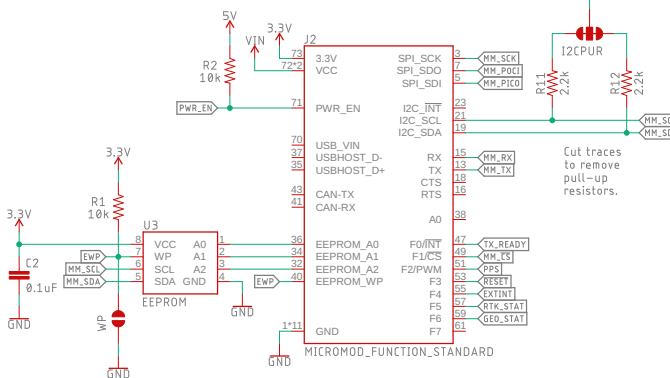
Power Supply



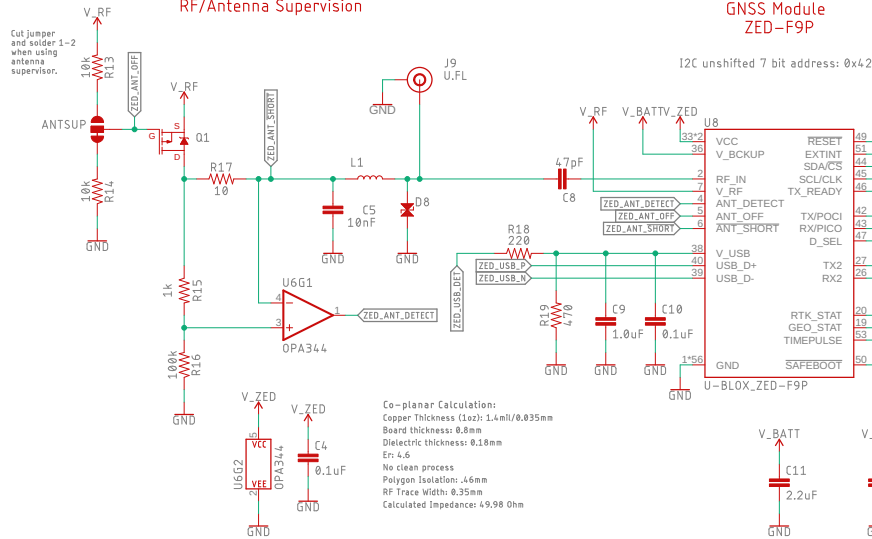
LEDs



MicroMod Function Connector

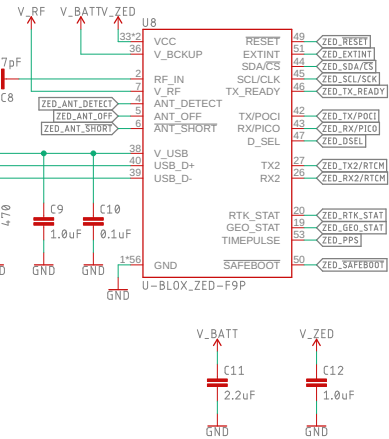


RF/Antenna Supervision

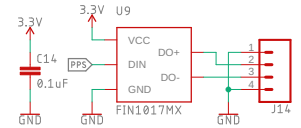


GNSS Module ZED-F9P

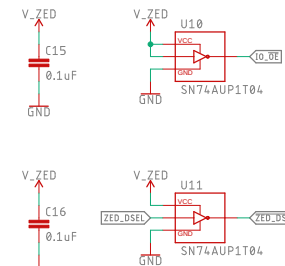
I2C unshifted 7 bit address: 0x42



Differential PPS

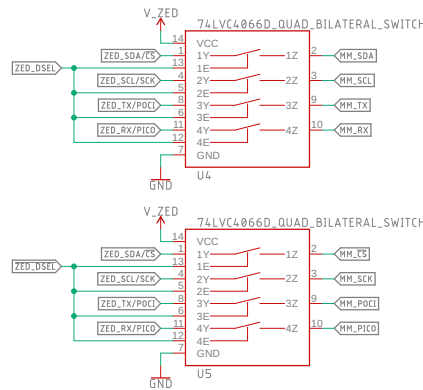
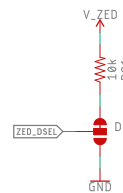


I/O Control

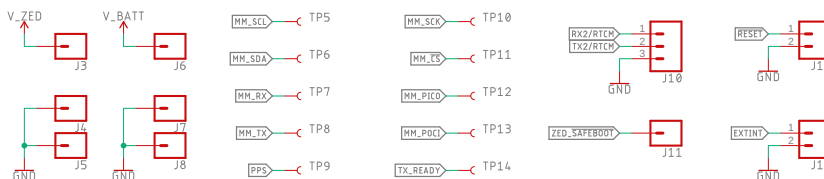
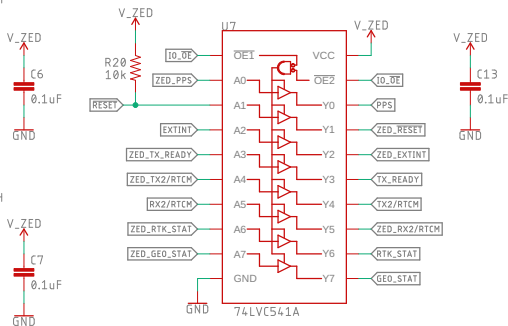


Bus Selection: 74LVC4066D

SPI || I2C+Serial Selection
To use SPI cut jumper and connect side labeled "SPI".
The default is I2C and Serial.



I/O Decoupling



Test Points and Breakouts

Released under the Creative Commons Attribution Share-Alike 4.0 License
<https://creativecommons.org/licenses/by-sa/4.0/>

TITLE: SparkFun_MicroMod_GNSS_Function_Board_ZED-F9P
Design by: A. Brudner
Date: 8/5/2022 3:24 PM

Special Instructions
REV: v10
Sheet: 1/1