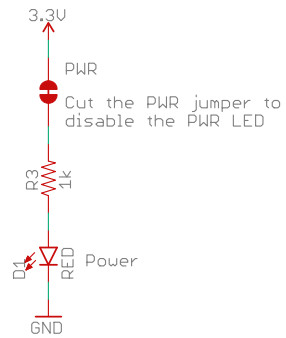
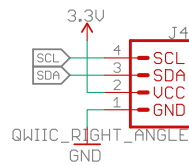
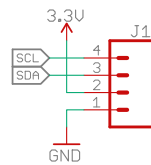
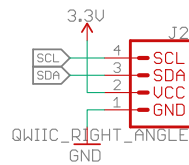
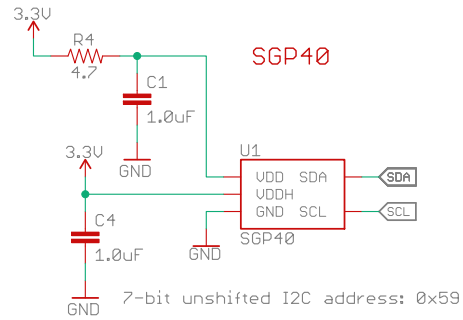
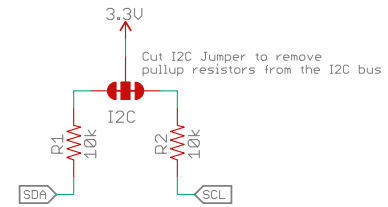


## LED



## I2C Pull-Up



## Connectors



### Special Instructions

Released under the Creative Commons Attribution Share-Alike 4.0 License  
<https://creativecommons.org/licenses/by-sa/4.0/>



TITLE: SGP40 Breakout

Design by: Paul Clark

REV:  
X01

Date: 05/12/2020 07:30

Sheet: 1/1