

Datasheet

CELLULAR(2G/3G/4G) / GNSS(GPS/GLONASS) Antenna

CGN 7026 LP A
Pt no.
920 625-001

- Combination antenna for positioning and data-services
- Terrestrial based transmission and satellite based positioning
- Embedded high performance LNA with dualfeed ceramic patch antenna and phase shift network for optimized cross polarization discrimination(XPD)
- Mounting by adhesive foam pad on metallic and non metallic ground as well as on glass
- Designed for installation in harsh environment



Some technical optimization with minor effect to the overall performance of this product are still pending.
This document will be updated according the finalization of the optimization measures without prior information.

Subject to alterations

Technical data

Dimensions	121 mm x 77mm x 37 mm
Weight	ca. 165 g
Temperature range	-40 - +85°C
Protection class	IP6k9k (acc. ISO 20653)

CELLULAR(2G/3G/4G)

Frequency range	LTE-LB: 698 - 862 MHz GSM 850: 824 - 894 MHz GSM 900: 880 - 960 MHz GSM 1800: 1710 - 1880 MHz GSM 1900: 1850 - 1990 MHz UMTS: 1920 - 2170 MHz LTE-HB: 2305 - 2690 MHz
Impedance	50 Ohm
VSWR	≤ 2,0
Gain	0 dBi ²⁾
Load capacity	max. 10 W pulsed acc. GSM standard
Diagnostic resistor	10 kOhm
Cable type	RG 174
Cable length	3000 ±40 mm
Connector	FAKRA, Code D, bordeaux

GNSS(GPS/GLONASS)

Frequency range	GPS: 1,57542 GHz ± 1,023 MHz, (L1-band) GLONASS: 1602,0 - 1614,94 MHz
Impedance	50 Ohm
VSWR	≤ 2,0
Gain	1 dBic ¹⁾
Amplification	27 ± 1 dB
Noise figure (50 Ohm)	≤ 2,2 dB
Voltage supply	3,0 - 5,5 VDC (remotely fed)
Current consumption	24 ±1 mA @ 5 V
Cable type	RG 174
Cable length	3000 ±40 mm.
Connector	FAKRA female, Code C, blue

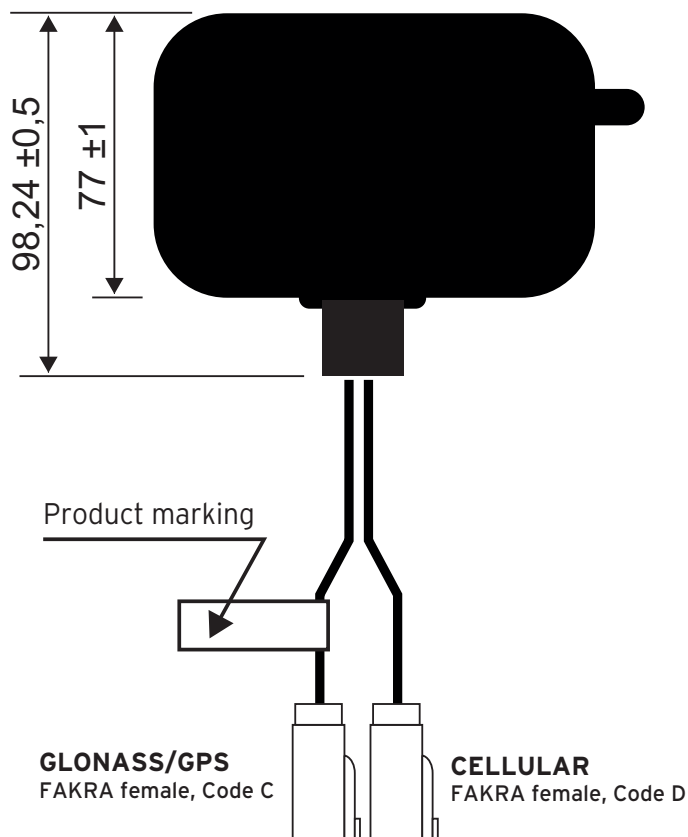
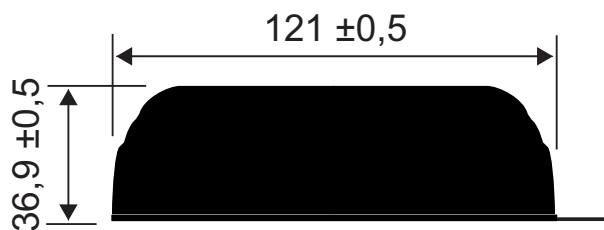
¹⁾ dBic: referenced to an isotropic radiator, circular polarization

²⁾ dBi: referenced to an isotropic radiator, circular polarization

Datasheet

CGN 7026 LP A
Pt no.
920 625-001

Technical drawings

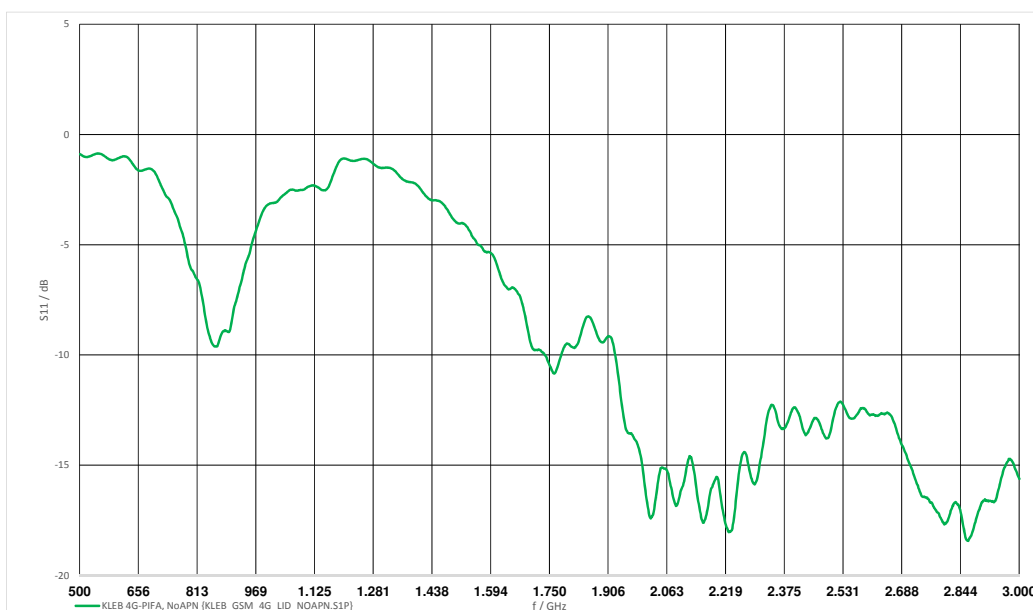


Datasheet

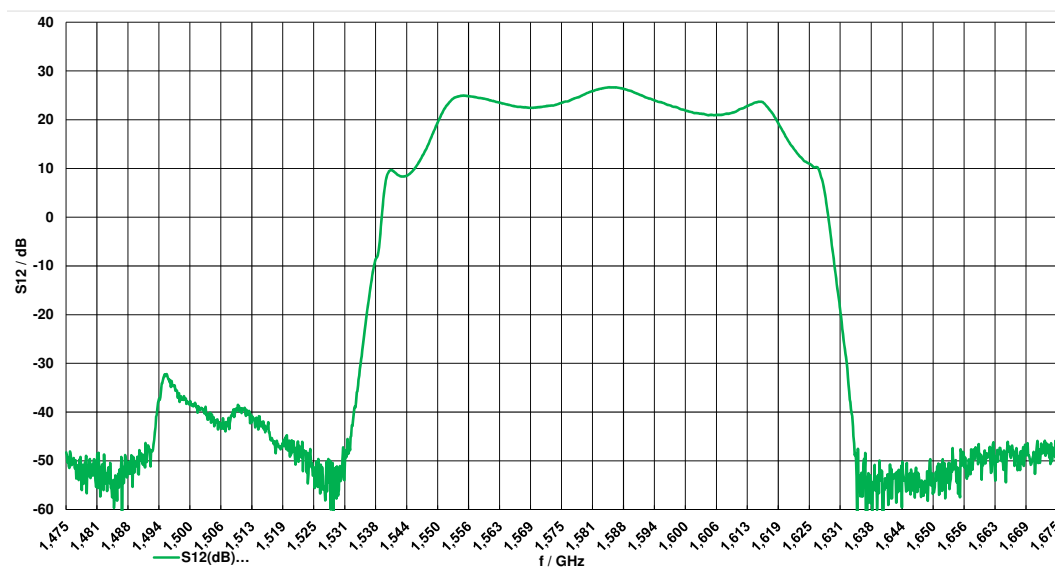
CGN 7026 LP A
Pt no.
920 625-001

Antenna diagrams

Typ. VSWR (S_{11}) CELLULAR bands



Typ. gain (S_{22}) GNSS-LNA



Datasheet

CGN 7026 LP A
Pt no.
920 625-001

Installation

