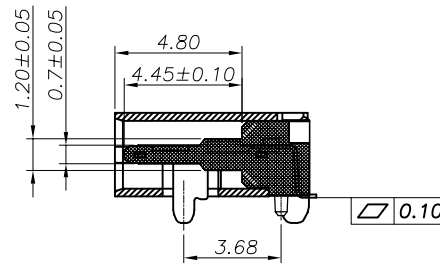
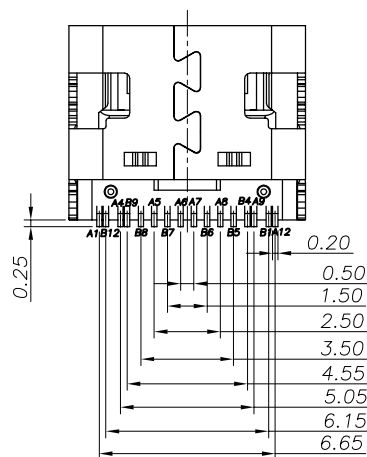
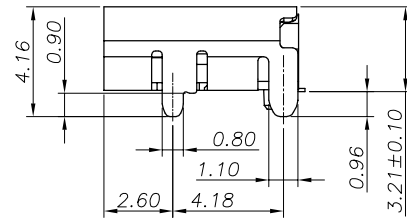
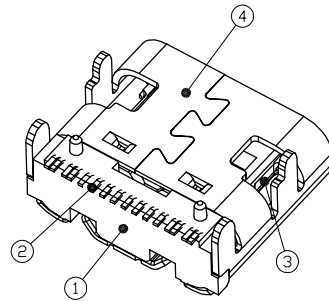
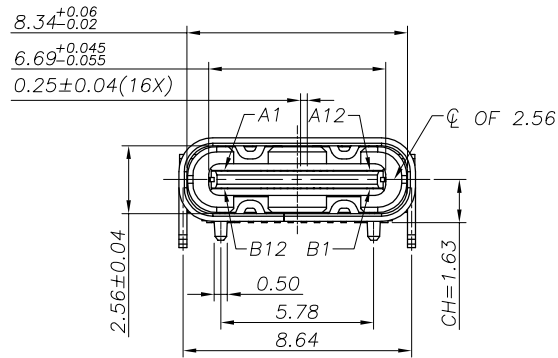
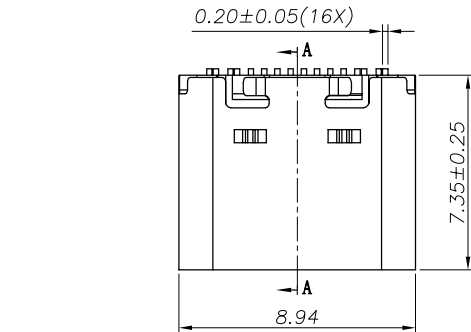


RoHS Compliant



SECTION:A-A

NOTE:  
 1.MATERIAL SPECIFICATION:  
 1.HOUSING:PA9T,UL94 V-0.  
 2.TERMINAL: COPPER ALLOY(C1814)  
 3.MID PLATE: STAINLESS STEEL(SUS301)  
 4.FRONT SHELL: STAINLESS STEEL(SUS304)  
 2.PLATING SPECIFICATION:  
 2-1.TERMINAL:  
 Ni 50u" MIN. UNDER PLATED OVER ALL.  
 Au PLATED ON THE FUNCTIONAL AREA OF CONTACT.  
 (GOLD PLATING THICKNESS FOLLOW THE P/N)  
 PLATING SPECIFICATIONS OF THE SOLDER AREA FOLLOW THE P/N  
 2-2.FRONT SHELL:  
 PLATING SPECIFICATIONS FOLLOW THE P/N  
 2-3.MID PLATE PLATE:  
 CLEAR ONLY  
 3.MECHANICAL PERFORMANCE,  
 3-1.INSERTION FORCE: 0.5~2.0kgf.  
 3-2.REMOVAL FORCE: 0.8kgf~2.0kgf.  
 3-3.DURABILITY: 10000 CYCLES.  
 4.ELECTRICAL PERFORMANCE,  
 4-1. VOLTAGE RATING:5 V DC/AC (RMS. max)  
 CURRENT RATING:5 AMPS. FOR TOTAL VBUS/GND PINS;  
 1.25AMPS FOR CC PIN,0.25 AMPS. FOR ALL OTHER CONTACT.  
 4-2. LLCR:  
 VBUS & GND PINS AND OTHER PINS: 40mΩ/PIN MAX.  
 SHIELD: 50mΩ/MAX.  
 LLCR MAX. CHANGE OF ALL PINS: 10mΩ.  
 4-3.INSULATION RESISTANCE: 100MΩ MIN  
 4-4.DIELECTRIC WITHSTAND VOLTAGE,AC 100V FOR 1 MINUTE.  
 5. ENVIRONMENTAL PERFORMANCE:  
 OPERATING TEMPERATURE: -25°C~+85°C.  
 6.IR REFLOW:  
 THE PEAK TEMPERATURE ON THE BOARD SHALL  
 BE MAINTAINED FOR 10 SECONDS AT 260°C.

A40 - 00119 - C52-12

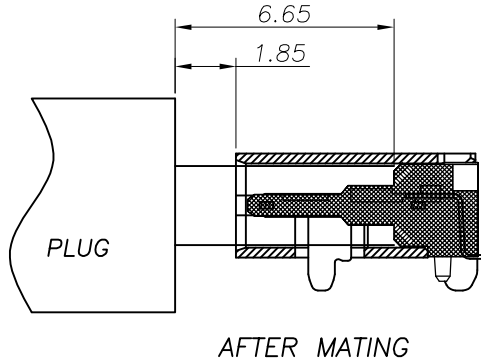
SERIES CODE  
 FEMALE  
 Mould FLOW NO.  
 FLOW NO.  
 MATERIAL:A:LCP B:PBT  
 C:PA9T D:PA46 E:PA66

1: TRAY PACKAGING  
 2: TAPE REEL PACKAGE  
 1.RoHS 2.HALOGEN FREE  
 PLATING:  
 1:G/F 4:Gold 10u"  
 2:Gold 3u" 5:Gold 15u"  
 3:Gold 5u" 6:Gold 30u"  
 COLOR:2:WHITE 5:BLACK 9:BLUE

▼ = Places	TOLERANCES UNLESS		BSC Electronics Co.,LTD	
	X. ± 0.50	X° ± 3'		
DIM NO. Ⓢ	.X ± 0.30	.X° ± 2'	DESIGN:KSH	DATE:
SCALE: FIT	.XX ± 0.20	.XX° ± 1'	Y.XW	2015.04.18
SHEET: 1 OF 1	.XXX ± 0.10	.XXX° ± 0.5'	CHECKED:	DATE:
UNIT: mm			APPROVED:	DATE:
			PART NO: A40-00119-C52-12	SIZE: A4
			DWG NO: A40-00119-C52-12	REV: A

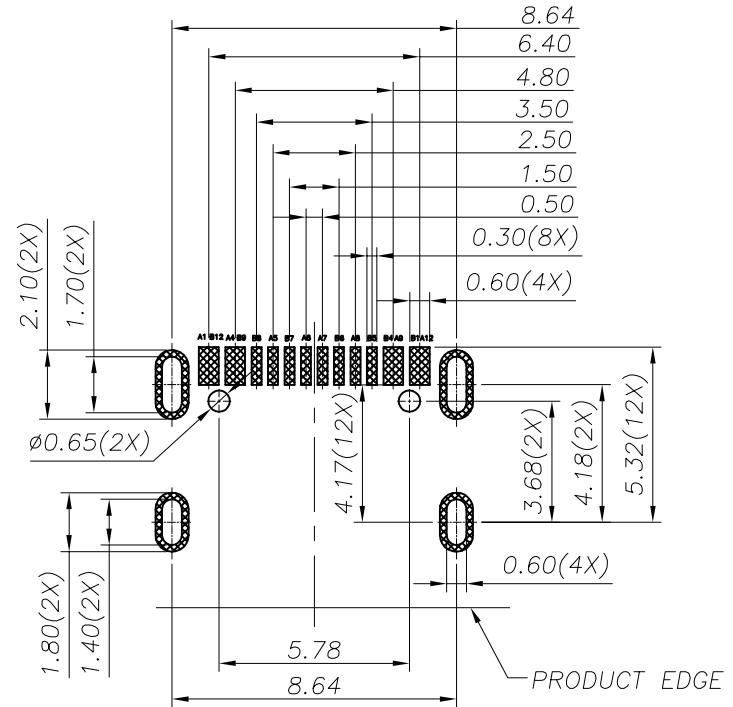
ECN. NO	REV	DATE	DESCRIPTION	CHANGED	APPROVED	UNIT: mm
	A	15.04.16	NEW RELEASE	Y.XW	Kim	

RoHS Compliant



USB TYPE-C PIN ASSIGNMENTS

PIN NUMBER	SIGNAL NAME	PIN NUMBER	SIGNAL NAME
A1	GND	B12	GND
A4	VBUS	B9	VBUS
A5	CC1	B8	SBU2
A6	Dp1	B7	Dn2
A7	Dn1	B6	Dp2
A8	SBU1	B5	CC2
A9	VBUS	B4	VBUS
A12	GND	B1	GND

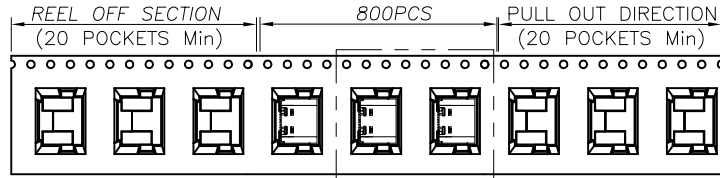


RECOMMENDED PCB LAYOUT(TOP VIEW)  
THICKNESS 0.80MM;DEFAULT TOLERANCE:±0.05

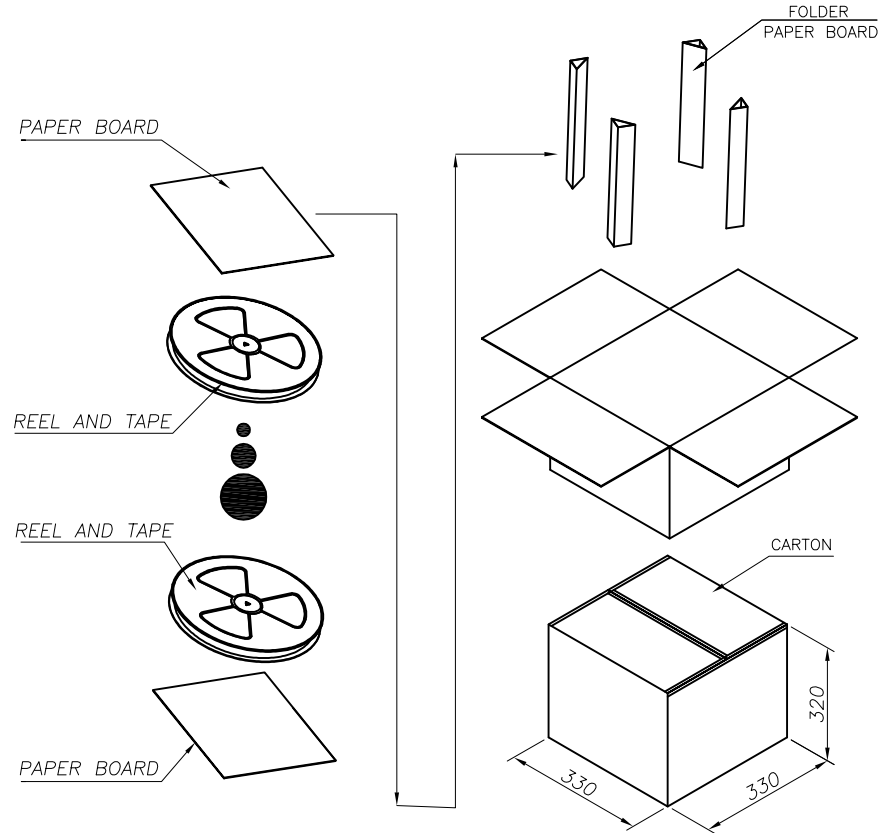
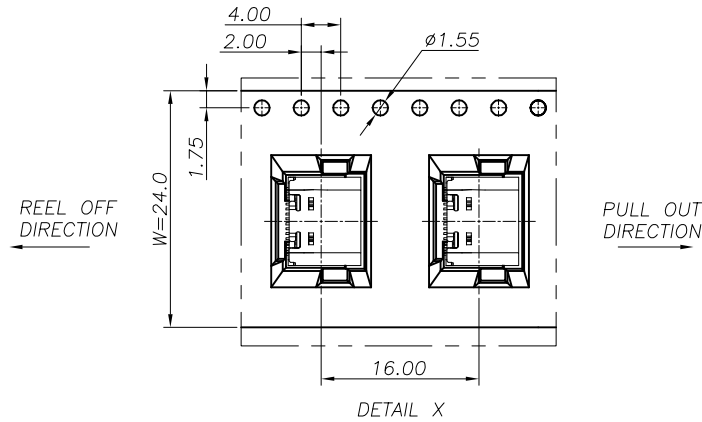
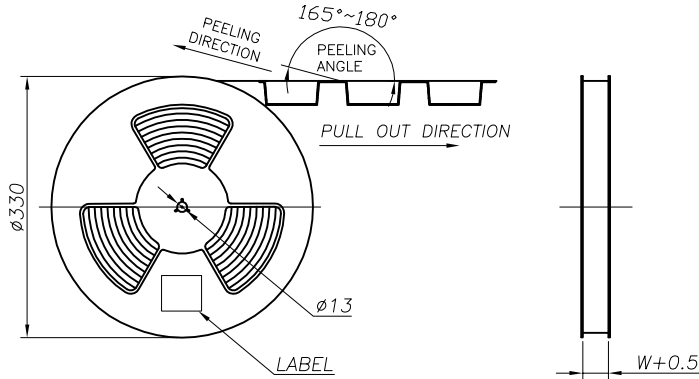
ECN. NO	REV	DATE	DESCRIPTION	CHANGED	APPROVED	UNIT: mm
—	A	15.04.16	NEW RELEASE	Y.XW	Ktm	SHEET: 1 OF 1

▼ = Places		TOLERANCES UNLESS		BSC Electronics Co.,LTD			
DIM NO. Ⓢ	SCALE: FIT	X. ± 0.50	X° ± 3'	DESIGN:KSH	DATE:	16P USB CF (L=7.35mm) WITH POST	
		.X ± 0.30	.X° ± 2'	Y.XW	2015.04.16	PART NO:	SIZE: A4
		.XX ± 0.20	.XX° ± 1'	CHECKED:	DATE:	A40-00119-C52-12	REV: A
		.XXX ± 0.10	.XXX° ± 0.5'	APPROVED:	DATE:	DWG NO:	REV: A
						A40-00119-C52-12	

**RoHS Compliant**



SEE DETAIL X



	REEL	CARTON
CONNECTOR (PCS)	800	8000

▼ = Places	TOLERANCES UNLESS		<b>BSC Electronics Co.,LTD</b> DESIGN: XSH DATE: 2015.04.16 Y.XW CHECKED: DATE:	
	X. ± 0.50	X° ± 3'		
DIM NO. Ⓢ	.X ± 0.30	.X° ± 2'	PART NO: A40-00119-C52-12	SIZE: A4
SCALE: FIT	.XX ± 0.20	.XX° ± 1'	DWG NO: A40-00119-C52-12	REV: A
SHEET: 1 OF 1	.XXX ± 0.10	.XXX° ± 0.5'	APPROVED: DATE:	
UNIT: mm				

ECN. NO	REV	DATE	DESCRIPTION	CHANGED	APPROVED	UNIT: mm
	A	15.04.16	NEW RELEASE	Y.XW	Kim	