

# EAST(SHENZHEN ) TECHNOLOGY CO., LTD



## LR44/AG13 Hg & Pb Free Datasheet

[Http://www.eunicell.com](http://www.eunicell.com)

### 1.MODEL:

Eunicell	JIS	IEC	Eveready	Toshiba	Varta	Maxell
LR44	AG13	LR44	A76	LR44	V13GA	LR44

### 2. CHEMICAL SYSTEM:

ZINC/MANGANESE DIOXIDE(POTASSIUM HYDROXIDE ELECTROLYTE), Hg & Pb Free

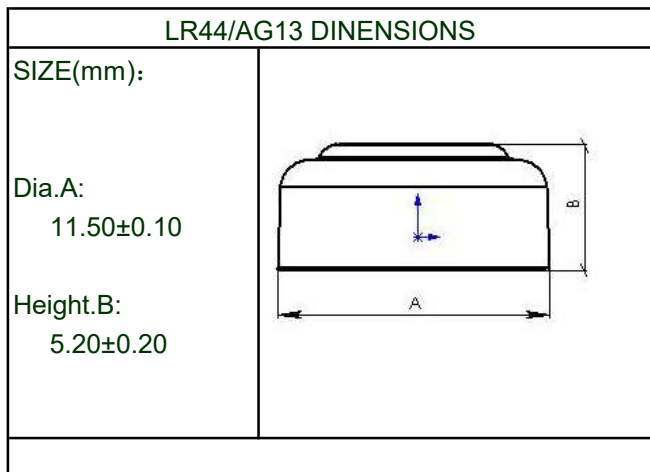
### 3. NOMINAL VOLTAGE: 1.5V

### 4. APPROX SERVICE CAPACITY:

165mAh (RATED AT 6.8KΩ LOAD TESTED AT 20±2°C, WITHIN 30DAY OF MANUFACTURE  
DISCHARGE SCHEDULE: 24HRS/DAY; up to 0.9V)

### 5. APPROX WEIGHT: 1.90g

### 6. DIMENSIONS:



### 7. DISCHARGE CURVE:

RATED AT: 6.8KΩ up to 0.9V

