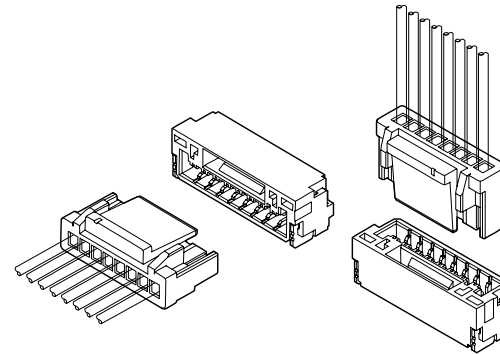
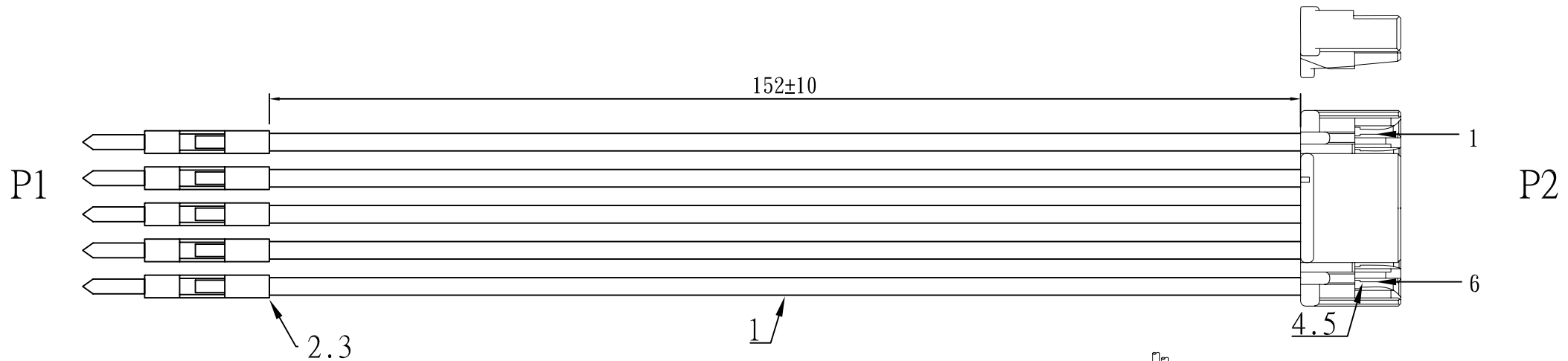


REV	ECRN	DATE
1	NEW PRODUCTION	20220216



PIN WIRING

P1		P2
1	RED	1
2	GREEN	2
3	ORANGE	3
4	BLUE	4
5	YELLOW	5
6	BLACK	6

- NOTES:
- 1.ELECTRICAL TEST:100%OPEN,SHORT&MIS WIRE TEST.
  - 2.CONTACT RESISTANCE:10 ohm,
  - 3.INSULATOR RESISTANCE:5M ohm.
  - 4.HIGH VOLTAGE:DC 300V 0.01sec.
  - 5.MUST BE ROHS COMPLIANT.

NO.	PART NO	ITEM	DESCRIPTION	Q' TY	UNIT
⑤		HOUSING	JST:GHR-06V-S	1	PCS
④		TERMINAL	JST:SSHL-002T-P0.2	6	PCS
③		HOUSING	DUPONT 2.54-H01 BLACK	6	PCS
②		TERMINAL	DUPONT 2.54 MALE GOLD PLATED	6	PCS
①		CABLE	UL1571 28AWG(7/0.12TC) JACKET:80P PVC ID:0.9±0.15mm COLOR:BLACK ORANGE RED YELLOW GREEN BLUE L=165MM	6	PCS

RoHS COMPLIANT			东莞市博帆科技有限公司		
			DongGuan BoFan Electronics Co.,Ltd TEL:076938835098/38835095 FAX:076938835091		
DRAWN BY		刘骏驰	20220216	比例: FREE	TITLE: 杜邦2.54-H06 F TO JST GHR-06V-S
CHECKED BY				單位: mm	SUPPLIER`S ITEM: 9.00ACCA3479.000R
APPROVED BY					CUSTOMER: SPARKFUN
					CUSTOMER`S ITEM:
			DRAWING NO.	ACCA-3479	DATE 2022.02.16