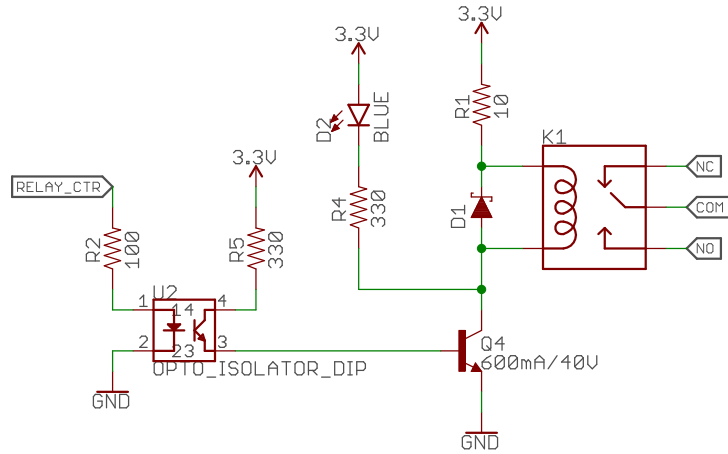
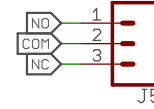


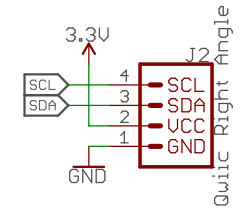
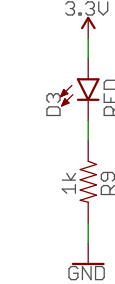
The board is designed for a 15°C temperature rise allowing for a continuous current draw of 5.5A. The relay can handle 10 A at 110VAC for short pulses (under 20 seconds).



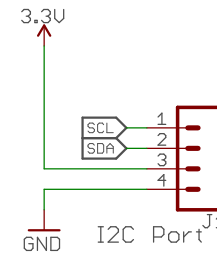
Screw Terminal



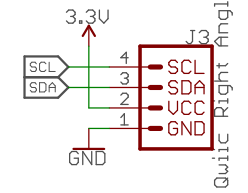
Power LED



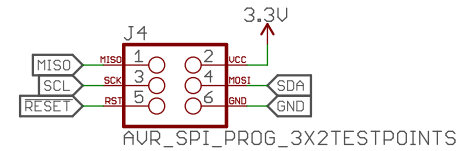
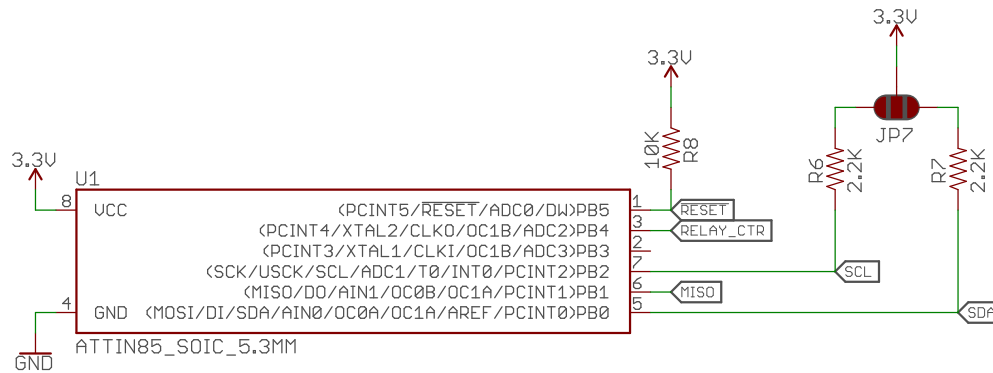
Qwiic Right Angle



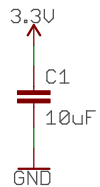
I2C Port J1



Qwiic Right Angle



AVR\_SPI\_PROG\_3X2TESTPOINTS



Released under the Creative Commons Attribution Share-Alike 4.0 License <https://creativecommons.org/licenses/by-sa/4.0/>

TITLE: Qwiic\_Relay

Design by: Kevin Kuwata

REV: 2

Date: 4/4/2018 4:15 PM

Sheet: 1/1