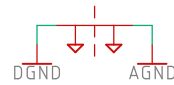
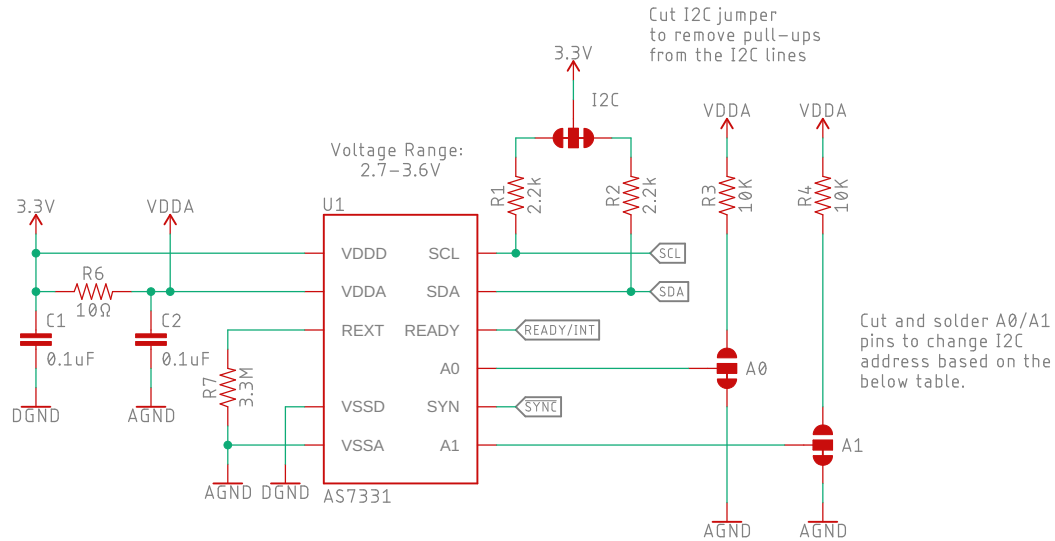
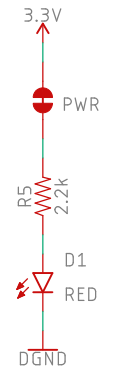


## UV A/B/C Sensor



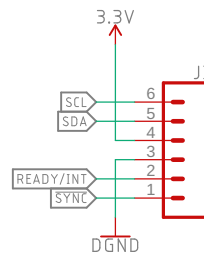
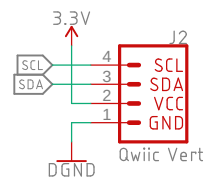
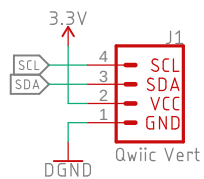
A1	A0	7-bit Address
GND	GND	0x74
GND	VDD	0x75
VDD	GND	0x76
VDD	VDD	0x77

## Power LED



Cut PWR trace to disable power LED.

## Connectors



**sparkfun**

**open hardware**  
**QWIIC**

Released under the Creative Commons

Attribution Share-Alike 4.0 License

<https://creativecommons.org/licenses/by-sa/4.0/>



TITLE: SparkFun\_Qwiic\_Mini\_UV\_Sensor\_AS7331

Design by: Alex Brudner

REV:  
v10

Date: 11/8/2023 4:40 PM

Sheet: 1/1