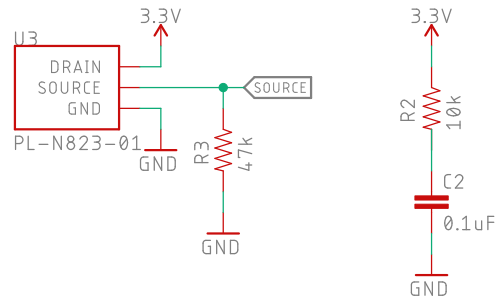
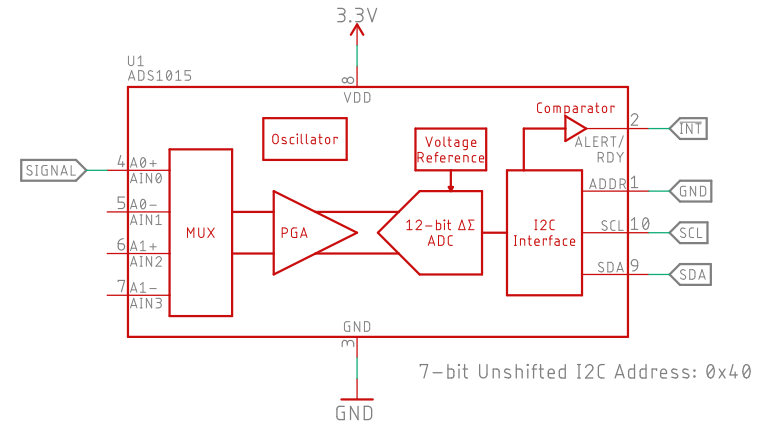


PL-N823-01 IR Sensor

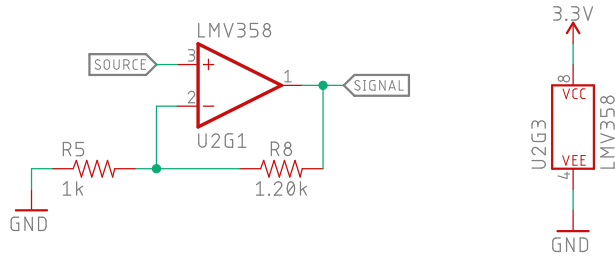


PL-N823-01 is rated to have .6V analog output when VCC is 5V. It is rated from 2V up to 15V.

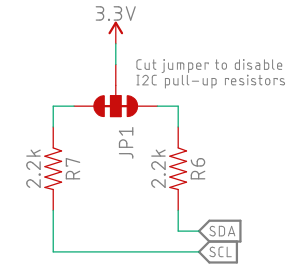
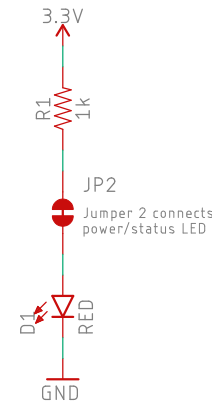
ADS1015 I2C Analog to Digital Converter



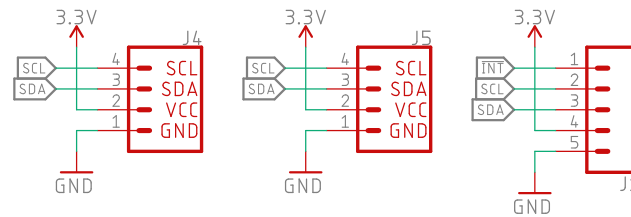
Analog signal amplifier



Power LED



Connectors



Released under the Creative Commons Attribution Share-Alike 4.0 License
<https://creativecommons.org/licenses/by-sa/4.0/>



TITLE: PL-N823-01 Breakout

Design by: Brandon Williams

REV:x15
>REV

Date: 10/23/2019 11:57 AM

Sheet: 1/1